

Spare Part List

Wheel Washer 650 / Turbowash 3500



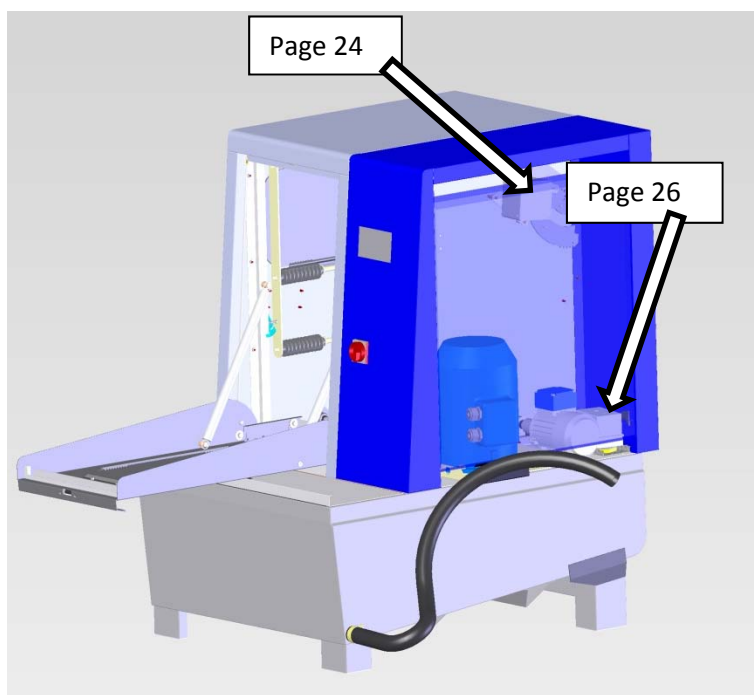
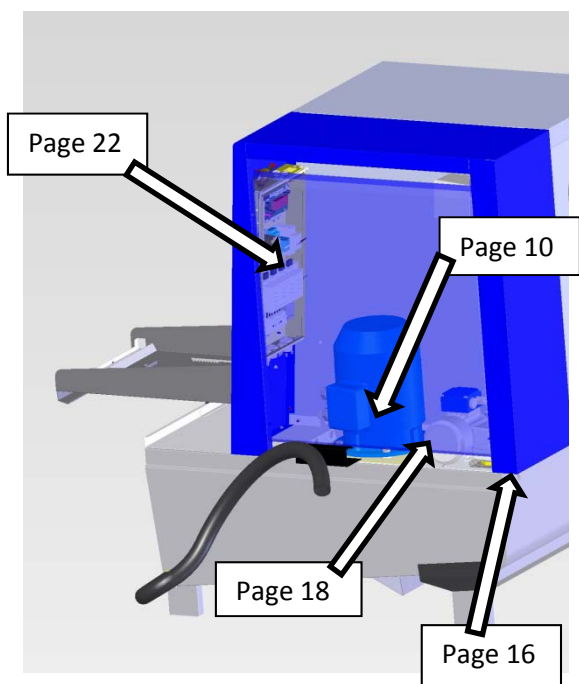
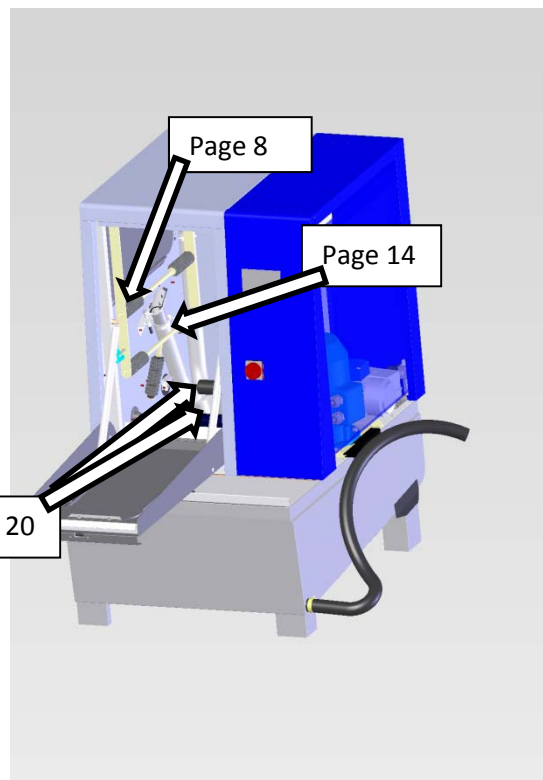
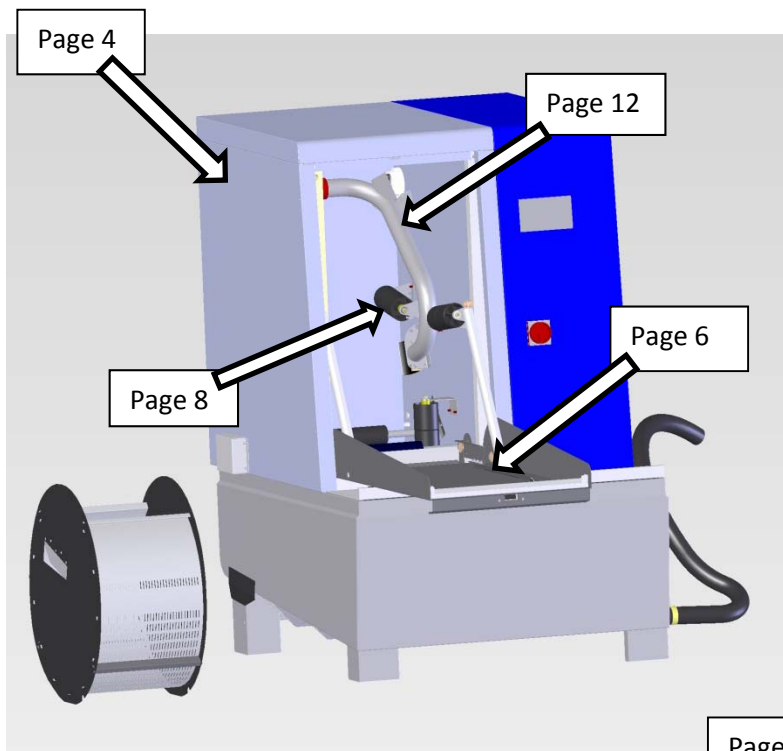
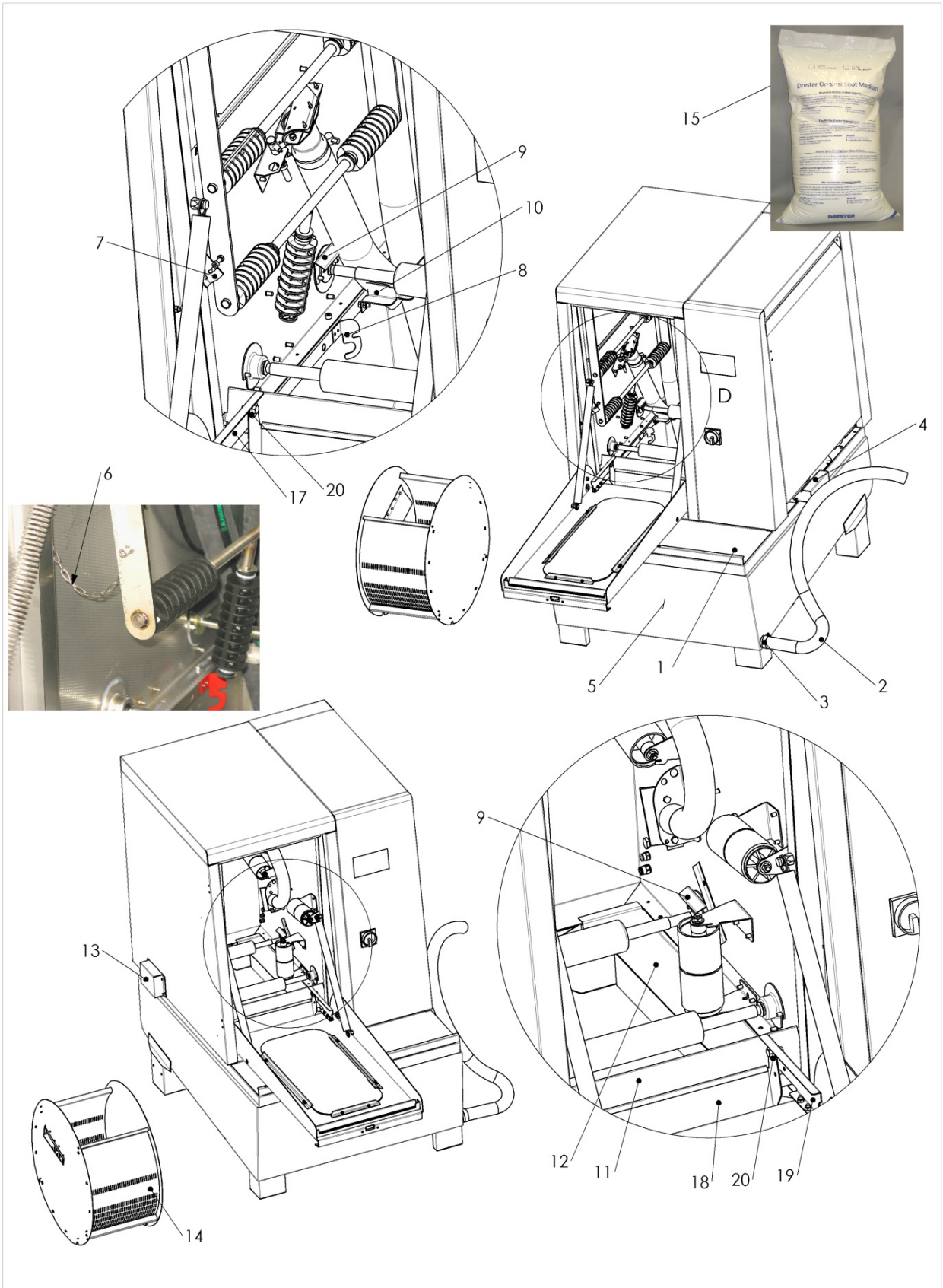


Table of Content

1. Main Assembly 650	Page 4
2. Lid Washing Area	Page 6
3. Side Support Springloaded Support Roll Right Hand	Page 8
4. Pump	Page 10
5. Dynamic Flush Pipe	Page 12
6. Flush Pipe Left Air Blowing Left	Page 14
7. Air Treatment	Page 16
8. Drive Motor Unit	Page 18
9. Drive Shaft Support Roll Horizontal	Page 20
10. Power Box	Page 22
11. Dyna Box	Page 24
12. Optional: Immersion Heater	Page 26
13. Optional: Clean Rinse Kit	Page 28



HT HEDSON TECHNOLOGIES

MAIN ASSEMBLY 650
MAIN ASSEMBLY 650 NORTH AMERICA

Ritad:	HT	Rev. dat:	2012-04-11
Doc.nr	W-650-ILLU		

WHEEL WASHER W-650 / TURBOWASH 3500

List No. : 17212 Rev: 2012-05-04/HT Appr:

Page: Pages 5

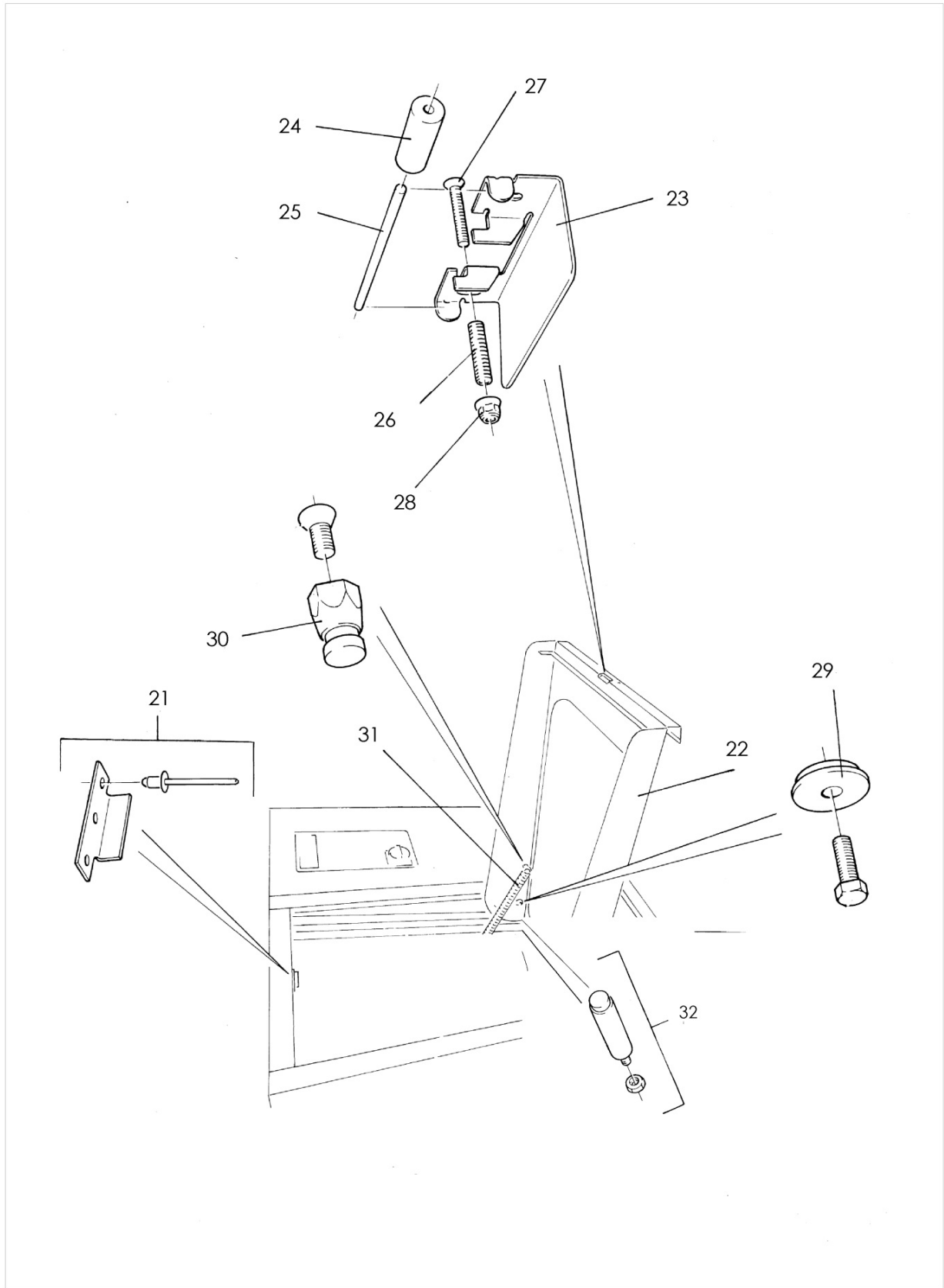
English

Deutsch

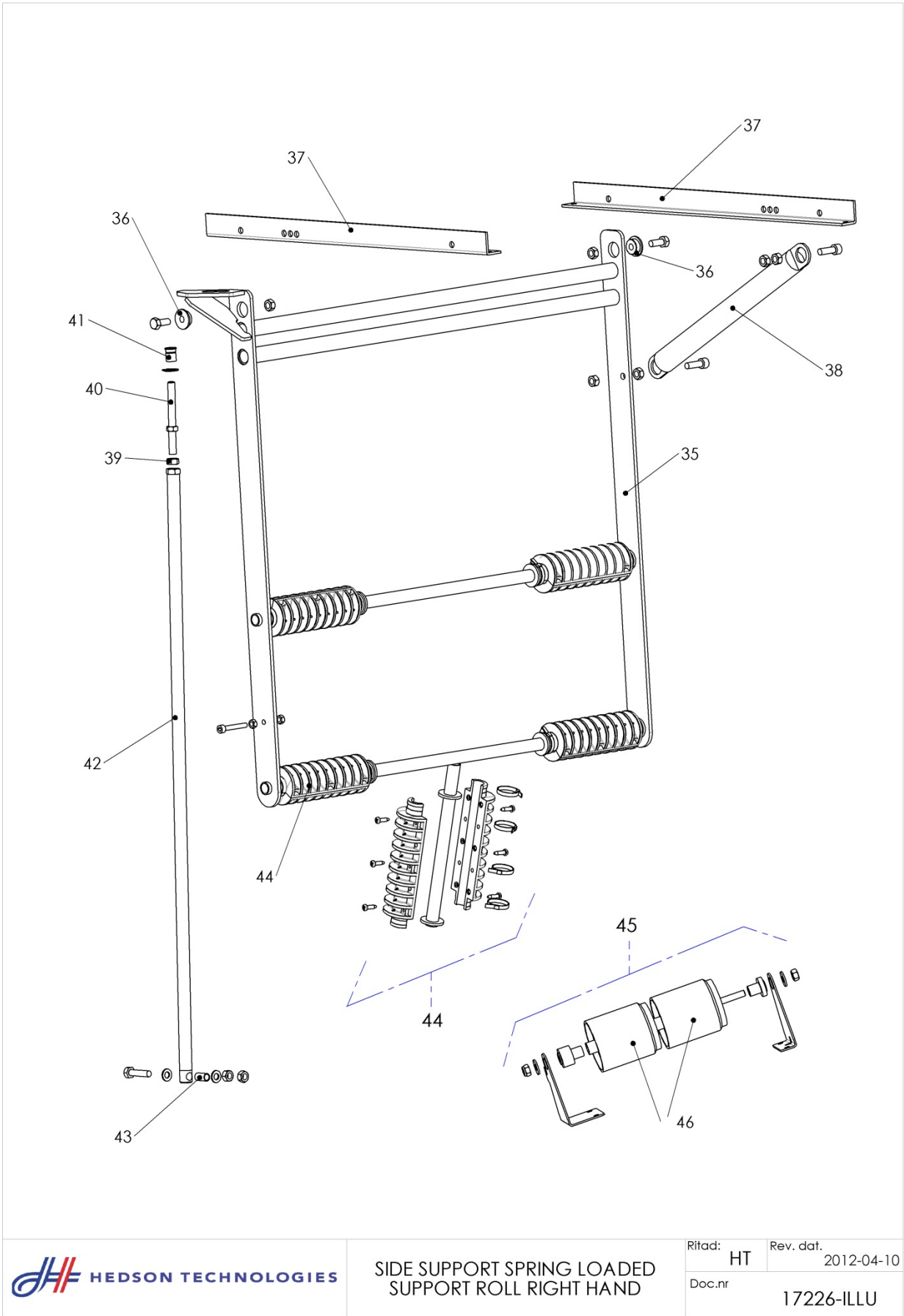
Français

Svenska

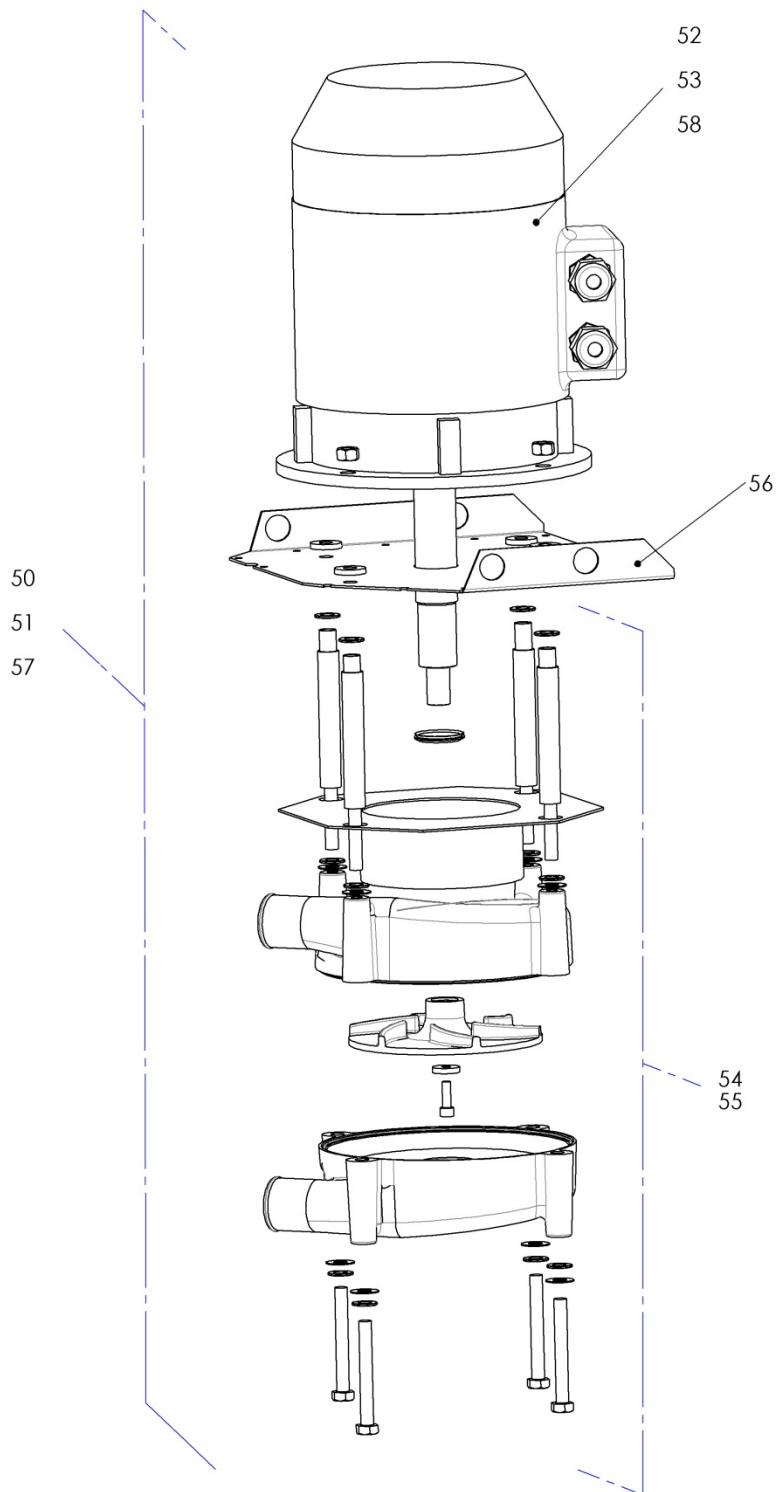
No.	Part No.	English	Deutsch	Français	Svenska
		MAIN ASSEMBLY 650	HAUPTGRUPPE 650	ASSEMBLEE MAIN 650	HUVUDGRUPP 650
		ILLUSTRATION 650-ILLU	ABBILDUNG 650-ILLU	ILLUSTRATION 650-ILLU	ILLUSTRATION 650-ILLU
1	17139	SERVICE COVER	WARTUNGSKLAPPE	CAPOT DE SERVICE	SERVICELUCKA
2	9593_1_2M	DRAINING HOSE	ENTLEHRUNGS SCHLAUCH	TUYAU D'EVACUATION	TOMNINGSSLANG
3	4225	HOSE CLIP	SCHLAUCHKLEMME	PINCE DE TUYAU	SLANGKLAMMA
4	9502-F	HOSE HOLDER	SCHLAUCHHALTER	SUPPORT DE TUYAU	SIANGHALLARE
5	9327	BULKHEAD PLATE	SCHOTTPLATTE	COULISSE	SKOTTPLAT
6	RT0552-A	WIRE	DRAHT'SEIL	FIL METALLIQUE	VAJER
7	9992	HOOK	HAKEN	CROCHET	HÅKE
8	15853-D	LEVEL MARKER	PEGELZEIGER	MARQUE DE REPERAGE	NIVÅMARKÖR
9	15926	SPLASH GUARD	SPRITZBLECH	PAPE-COPEAUX	STÄNKBLECK
10	15766	CLAMP	KLAMMER	PINÇER	KLÄMMA
11	15764	BEAM	TRÄGER	LONGERON	BALK
12	15848	WATER CHANNEL	WASSERRENNE	CANAL	RANNA
13	15849	BEARING COVER	HÜLLE	BOULIER	LAGERKÅPA
14	15746	SHOT MEDIUM BASKET	GRANULATKORB	CORBILLE POUR GRANULÉS	GRANULÄTKÖRG
15	R9280	DRESTER ORIGINAL SHOT MEDIUM 25KG	DRESTER ORIGINAL SHOT MEDIUM 25 KG	DRESTER ORIGINAL SHOT MEDIUM 25 KG	DRESTER ORIGINAL SHOT MEDIUM 25KG
		MAIN ASSEMBLY 650	HAUPTGRUPPE 650	ASSEMBLEE MAIN 650	HUVUDGRUPP 650
		NORTH AMERICA	NORDAMERIKA	L'AMERIQUE DU NORD	NORD AMERIKA
		CERTIFIED BY: INTERTEK REPORT NUMBER	1024213STO-001 (UL 921/CSA C22.2 NO.168)	CERTIFIED BY: INTERTEK REPORT NUMBER	1024213STO-001 (UL 921/CSA C22.2 NO.168)
		ILLUSTRATION 650-ILLU	ABBILDUNG 650-ILLU	ILLUSTRATION 650-ILLU	ILLUSTRATION 650-ILLU
17	15585	PADDLE SUPPORT LEFT	PADDELHALTER LINKS	PALE SUPPORT GAUCHE	SKOVELFÄSTE VÄNSTER
18	15587	PADDLE	PADDEL	PALE	SKOVEL
19	15586	PADDLE SUPPORT RIGHT	PADDELHALTER RECHTS	PALE SUPPORT DROIT	SKOVELFÄSTE HÖGER
20	RT17259	BUSHING 2-PAC	LAGERBUCHSE 2-PACK	ARTICULATION 2 PCS	LED 2-PACK



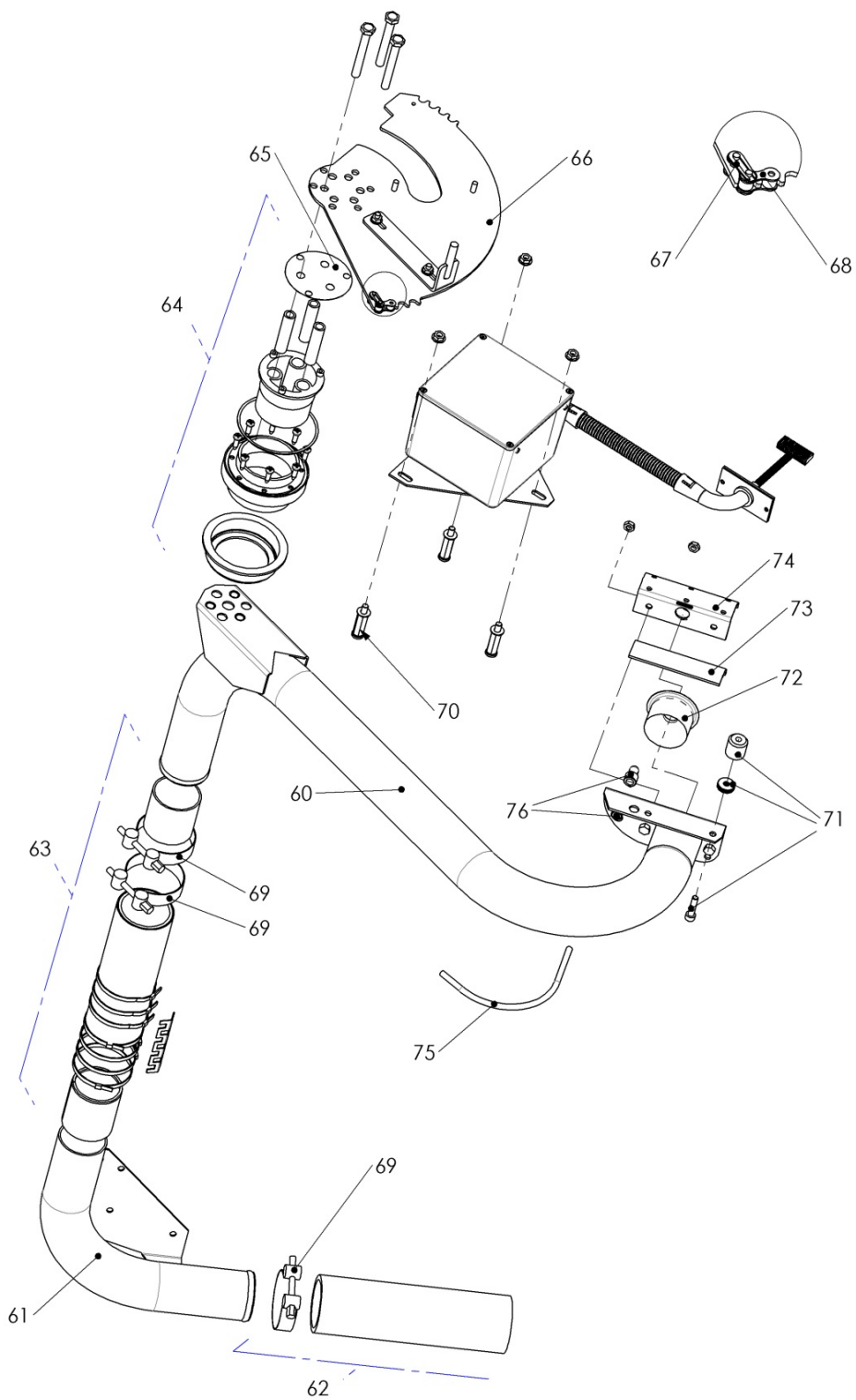
	LID WASHING AREA	KLAPPE WASHRAUM	PORTE	LUCKA TVÄTTUTRYMME
	ILLUSTRATION 17221-R	ABBILDUNG 17221-R	ILLUSTRATION 17221-R	ILLUSTRATION 17221-R
21	HOOK	HAKEN	CROCHET	HÅKE KOMPL.
22	LID	KLAPPE	PORTE	LUCKA
23	GRIP	HANDGRIFF	MANETTE	HANDTAG
24	ROLL	ROLLE	ROULEAU	LÅSRULLE
25	SHAFT	ACHSE	AXE	LÅSAXEL
26	SPRING 2-PAC	FEDER 2-PACK	RESSORT 2 PCES	TRYCKFJÄDER 2-PACK
27	SCREW 2-PAC	SCHRAUBE 2-PACK	VIS 2 PCES	SKRUV 2-PACK
28	NUT 2-PAC	MUTTTER 2-PACK	ECROU 2-PCES	LÅSMUTTTER 2-PACK
29	BUSHING 2-PAC	LÄGERBUCHSE 2-PACK	ARTICULATION 2 PCES	LED 2-PACK
30	SPRING HOLDER	FEDERHÅLTARE	PORTE-RESSORT	FJÄDERFÄSTE
31	SPRING 2-PAC	FEDER 2-PACK	RESSORT 2 PCES	FJÄDER 2-PACK
32	MAGNET ASSEMBLY 2	MAGNETMONTAGE 2	SET D'AIMANTS 2	MAGNETSATS 2



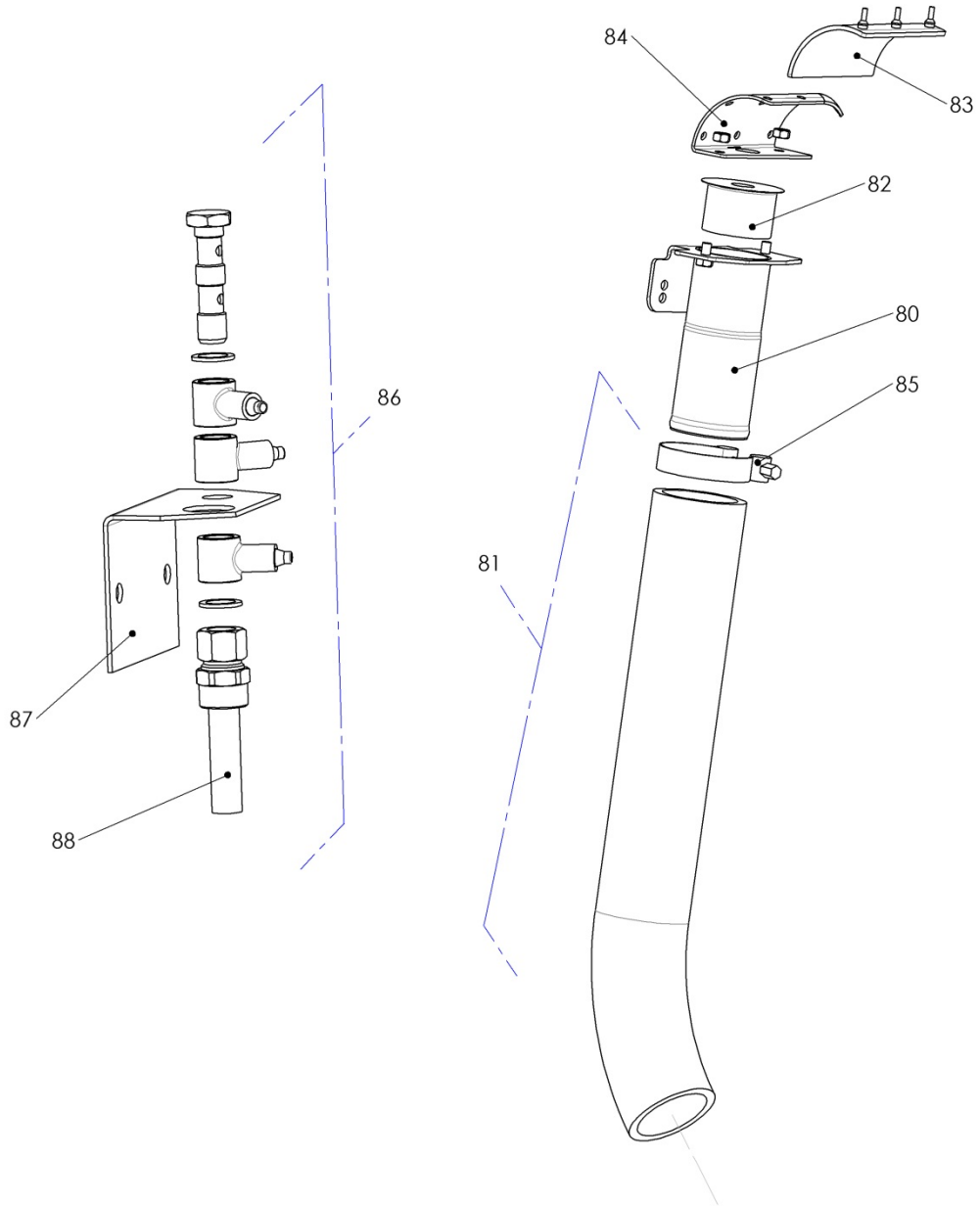
	SIDE SUPPORT SPRING LOADED	STÜTZRAHMEN	CADRE D 'APPUI	SIDOS TÖÐ F JÁÐERMANÓVREÐAD
	ILLUSTRATION 17226-ILLU	A BILDUNG 17226-ILLU	ILLUSTRATION 17226-ILLU	ILLUSTRATION 17226-ILLU
35	SUPPORT FRAME	STÜTZRAHMEN	CADRE D 'APPUI	STODDRAM
36	BUSHING 2-PAC	LAGERBUCHSE 2-PACK	ARTICULATION 2 PCES	LED 2-PACK
37	ANGLE IRON	WINKELEISEN	CORNIERE EN FER	VINKELJÄRN
38	SPRING	FEDER	RESSORT	DRAGJÄDER
39	NUT	MUTTER	ECROU	MUTTER
40	ADJUSTMENT BOLT	JUSTIERSCHRAUBE	VIS DE REGLAGE	JUSTERSKRUV
41	SEEVE	LAGERHULSE	BLOC DE PALIER	PITTHYLSA KOMPL.
42	PUSHROD	STOSSSTANGE	BARRE D'APPUI	STÖTSTANG
43	BUSHING	BUCHSE	ROUILLE	BUSSMING
44	SUPPORT ROLL	STÜTZROLLE	ROULEAU D'APPUI	STÖDRULLE KOMPL.
	SUPPORT ROLL RIGHT HAND	STÜTZROLLE	ROULEAU D'APPUI	SIDOS TÖÐ
	ILLUSTRATION 17226-ILLU	A BILDUNG 17226-ILLU	ILLUSTRATION 17226-ILLU	ILLUSTRATION 17226-ILLU
45	SUPPORT ROLL	STÜTZROLLE	ROULEAU D'APPUI	SIDOS TÖÐ
46	ROLL	ROLLE	ROULEAU	ROLLE



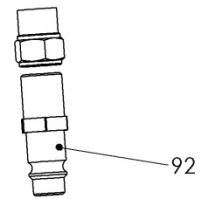
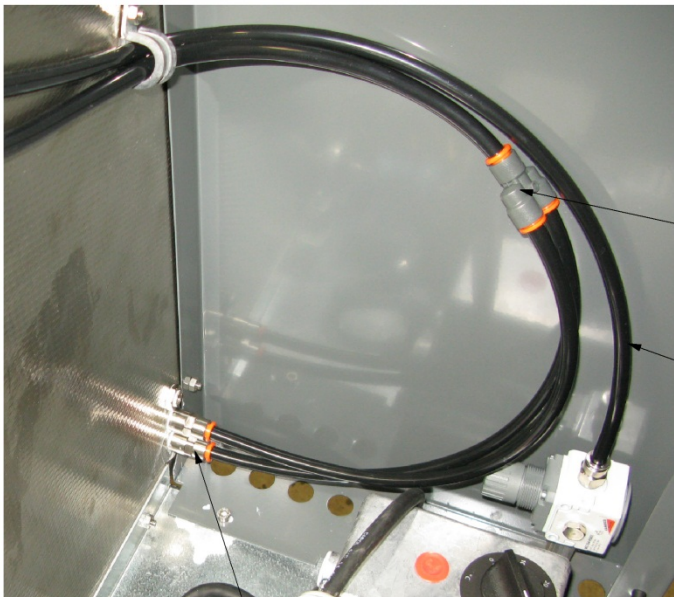
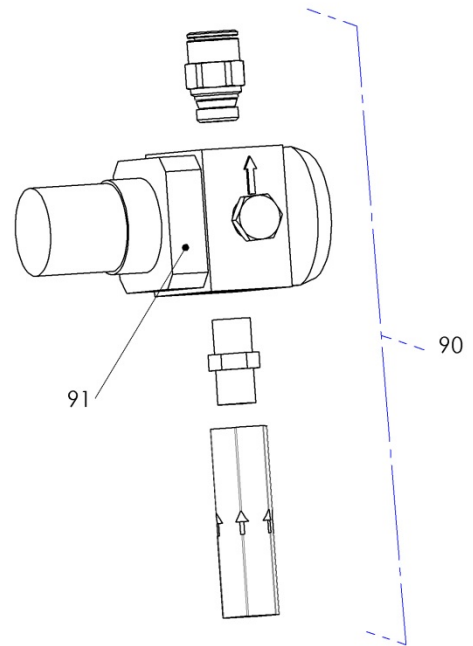
	PUMP	PUMPE	PUMPE	PUMPE	PUMPE	PUMPE	PUMPE
	ILLUSTRATION 15701-ILLU	ABILDUNG 15701-ILLU	ILLUSTRATION 15701-ILLU	ILLUSTRATION 15701-ILLU	ILLUSTRATION 15701-ILLU	ILLUSTRATION 15701-ILLU	PUMP
50	PUMP ASSEMBLY 400V 50Hz	MONTAGE PUMP/MOTOR MIT PUMPE 400V 50Hz	MONTAGE PUMP/MOTOR MIT PUMPE 400V 50Hz	ENSEMBLE DE POMPE 400V 50Hz	ENSEMBLE DE POMPE 400V 50Hz	PUMPENHET 400V 50Hz	PUMPENHET 400V 50Hz
51	PUMP ASSEMBLY 230V 50Hz	MONTAGE PUMP/MOTOR MIT PUMPE 230V 50Hz	MONTAGE PUMP/MOTOR MIT PUMPE 230V 50Hz	ENSEMBLE DE POMPE 230V 50Hz	ENSEMBLE DE POMPE 230V 50Hz	PUMPENHET 230V 50Hz	PUMPENHET 230V 50Hz
52	PUMP MOTOR 400V	PUMP/MOTOR 400V	PUMP/MOTOR 400V	MOTEUR DE POMPE 400V	MOTEUR DE POMPE 400V	PUMPMOTOR 400V	PUMPMOTOR 400V
53	R2853-B	PUMP/MOTOR 230V	PUMP/MOTOR 230V	MOTEUR DE POMPE 230V	MOTEUR DE POMPE 230V	PUMPMOTOR 230V	PUMPMOTOR 230V
54	R9820-A	PUMP 50Hz	PUMP 50Hz	POMPE 50Hz	POMPE 50Hz	PUMP 50Hz	PUMP 50Hz
55	R9820-B	PUMP 60Hz	PUMP 60Hz	POMPE 60Hz	POMPE 60Hz	PUMP 60Hz	PUMP 60Hz
56	15702	MOTOR PRESSING	MOTORPLATTE	MOTORPLATTE	PLATINE DE MOTEUR	MOTORPLATTA	MOTORPLATTA
	PUMP NORTH AMERICA	PUMPE NORDAMERIKA	PUMPE NORDAMERIKA	POMPE L'AMÉRIQUE DU NORD	POMPE L'AMÉRIQUE DU NORD	PUMP NORD AMERIKA	PUMP NORD AMERIKA
	CERTIFIED BY: INTERTEK REPORT NUMBER	CERTIFIED BY: INTERTEK REPORT NUMBER	CERTIFIED BY: INTERTEK REPORT NUMBER	CERTIFIED BY: INTERTEK REPORT NUMBER	CERTIFIED BY: INTERTEK REPORT NUMBER	CERTIFIED BY: INTERTEK REPORT NUMBER	CERTIFIED BY: INTERTEK REPORT NUMBER
	1024213STO-001 (UL 921/CSA C22.2 NO.168)	1024213STO-001 (UL 921/CSA C22.2 NO.168)	1024213STO-001 (UL 921/CSA C22.2 NO.168)	1024213STO-001 (UL 921/CSA C22.2 NO.168)	1024213STO-001 (UL 921/CSA C22.2 NO.168)	1024213STO-001 (UL 921/CSA C22.2 NO.168)	1024213STO-001 (UL 921/CSA C22.2 NO.168)
57	R15701-CS	PUMP ASSEMBLY 230V 60Hz	ABILDUNG 15701-ILLU	MONTAGE PUMP/MOTOR MIT PUMPE 230V 60Hz	ENSEMBLE DE POMPE 230V 60Hz	PUMPENHET 230V 60Hz	PUMPENHET 230V 60Hz
58	R2853-C	PUMP MOTOR 230V 60Hz	PUMP/MOTOR 230V 60Hz	MONTAGE PUMP/MOTOR MIT PUMPE 230V 60Hz	MOTEUR DE POMPE 230V 60Hz	PUMPMOTOR 230V 60Hz	PUMPMOTOR 230V 60Hz



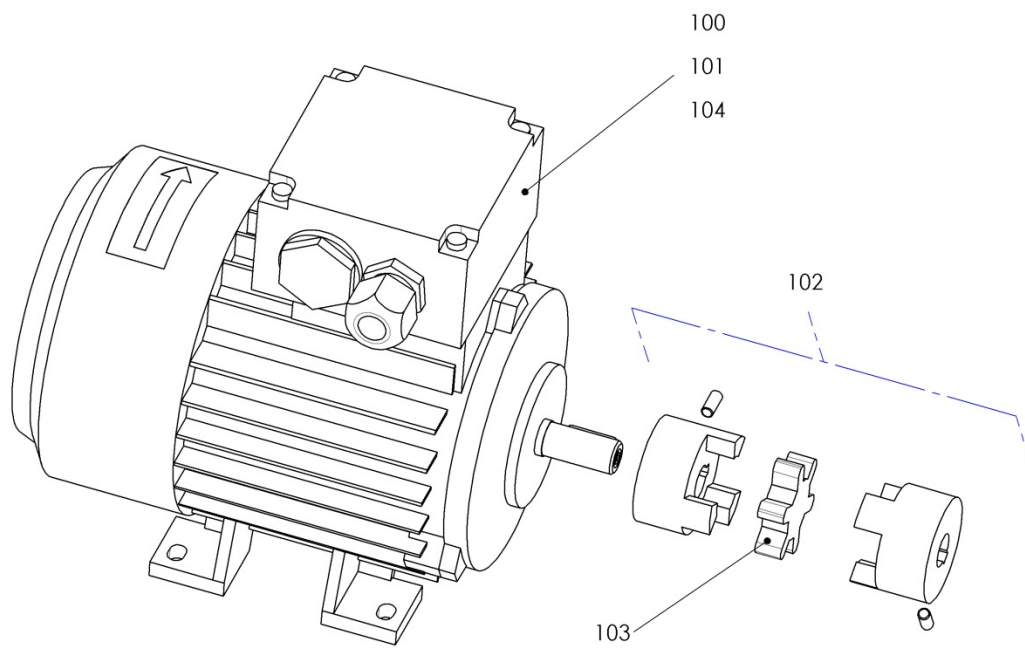
	DYNAMIC FLUSH PIPE	BEWEGLICHES SPÜLROHR	TUBE DE RINÇAGE DYNAMIQUE	DYNAMISKT SPÖLRÖR
	ILLUSTRATION 17222-ILLU	ABBILDUNG-17222-ILLU	ILLUSTRATION 17222-ILLU	ILLUSTRATION 17222-ILLU
60	R9434 DYNAMIC FLUSH PIPE	BEWEGLICHES SPÜLROHR	TUBE DE RINÇAGE DYNAMIQUE	DYNAMISKT SPÖLRÖR
61	R9431 FIXED PIPE	FESTES ROHR	TUBE FIXE	FAST RÖR
62	R9541 HOSE	SCHLAUCH	TUYAU	SLANG KOMPL.
63	RT3084 PIPE JOINT	ROHRVERBINDUNG	RACCORDEMENT DE TUBE	LAGERHÝLSA. KOMPL.
64	R9404 BEARING COMPONENTS	LAGERKOMPONENTE	GARNITURE DE COUSSINET	LAGRING. KOMPL.
65	9687 GASKET	DICHTUNG	GARNITURE	PACKNING
66	R9748 REAR SPROCKET ASSEMBLY	KETTENRAD KOMPLETT	ROUE A CHAÎNE ARRIERE	BAKDREV KOMPL.
67	9551 CHAIN LOCK	KETTENSCHLOSS	VERROU DE CHAÎNE	KEDJELÅS
68	9549 CHAIN	KETTE	CHAÎNE	KEDJA
69	R8865 HOSE CLIP	KLEMMSCHELLE	PINCE DE TUYAU	SLANGKLÄMMA
70	R9554 SPACING SCREW (3x)	DISTANZSCHRAUB (3x)	VIS D'ÉCARTEMENT	DISTANSSKRUV (3x)
71	R9623 SUPPORT BEARING	GLEITLAGER	PALIER DE GLISSEMENT	SLÅPSKO
72	2892 FLUSHING NOZZLE	SPRÜHMUNDSTÜCK	BIJSE DE RINÇAGE	SPÖLMUNSTYCKE
73	9847 RUBBER PLATE RIGHT HAND	GUMMIPLATTE RECHTS	PLAQUE DE CAOUTCHOUC	GUMMIPLATTA HÖGER
74	9322 SHOVEL RIGHT HAND	LEITTSCHAUFEL RECHTS	GUIDE DROIT	LEDSKOVEL HÖGER
75	3517, 1.7 m HOSE Ø6 BLACK	SCHLAUCH Ø6 SCHWARZ	TUYAU Ø6 NOIR	SLANG Ø6 SVART
76	RT4508 AIR NOZZLE	LUFTMUNDSTÜCK	BUSE D'AIR	LUFTMUNSTYCKE



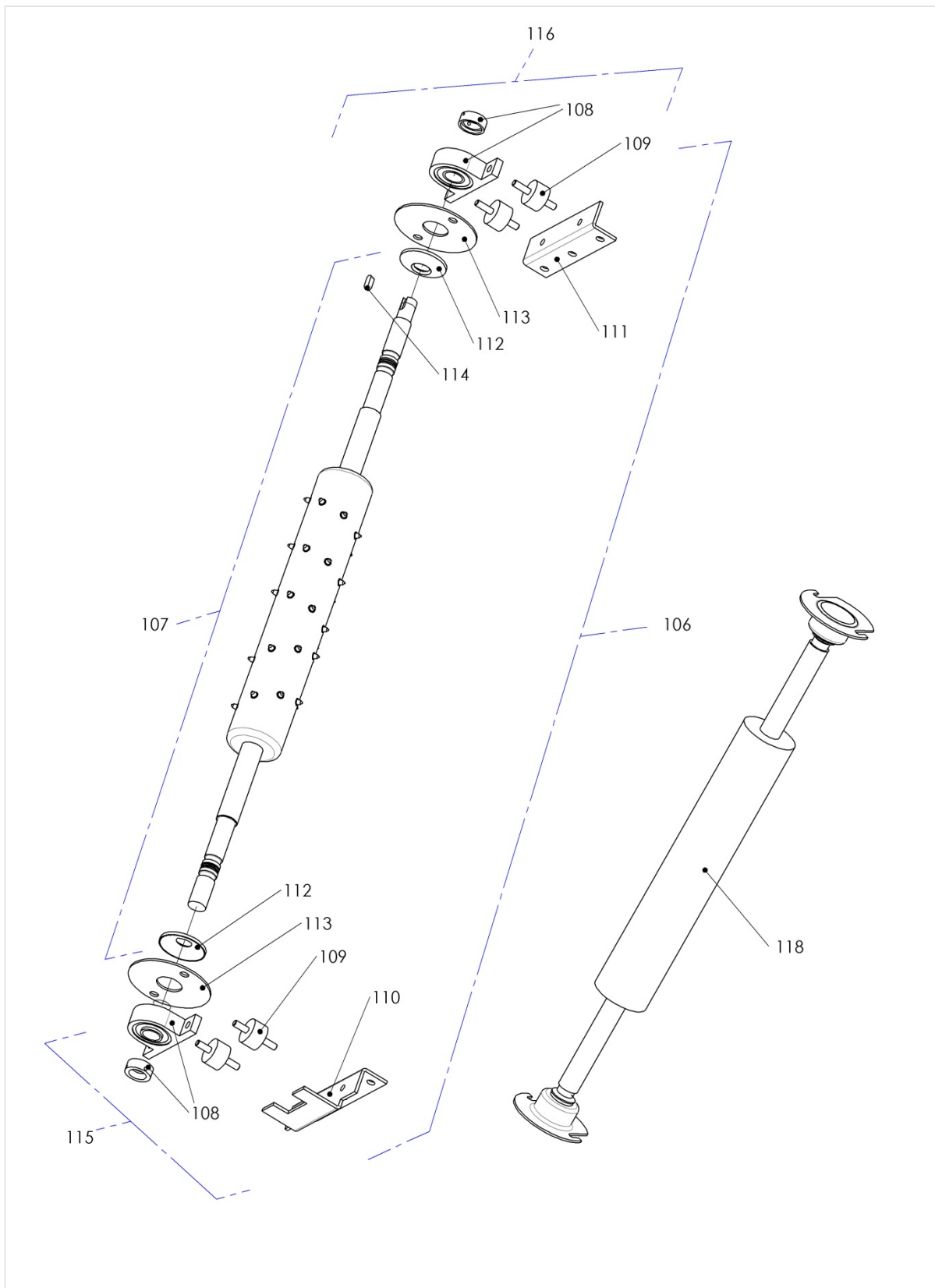
			FLUSH PIPE LEFT	SPÜLROHR LINKS	SPOLRÖR VÄNSTER
			ILLUSTRATION 17056-ILLU	ABBILDUNG-17056-ILLU	ILLUSTRATION 17056-ILLU
80	14792		FLUSH PIPE LEFT	SPÜLROHR LINKS	RÖR VÄNSTER
81	R14946		HOSE LEFT 1.2m	SCHLAUCH LINKS 1.2m	SLANG VÄNSTER 1.2m
82	2892		FLUSHING NOZZLE	SPRÜHMUNDSTÜCK	SPOLMUNSTYCKE
83	2974		RUBBER PLATE	GUMMIPLATTE	GUMMIPLATTA
84	17057		SHOVEL	LETTSCHAUFEL	LEDSKOVEL
85	R8865		HOSE CLIP	KLEMMSCHELLE	SLANGKLÄMMA
			AIR BLOWING LEFT	LUFTBEHANDLUNG	RENBLÄSNING VÄNSTER
			ILLUSTRATION 17056-ILLU	ABBILDUNG-17056-ILLU	ILLUSTRATION 17056-ILLU
86	R15857		BLOW OFF NOZZLE KIT LEFT	LUFTMUNDSTÜCKKOMPLEMENTE LINKS	RENBLÄSNING VÄNSTER
87	14859		NOZZLE ATTACHMENT LEFT	HAFTER LINKS	FASTE VÄNSTER
88	2167, 1.1m		HOSE PA 8/6 BLACK	SCHLAUCH PA 8/6 SCHWARZ	SLANG PA 8/6 SVART



	AIR TREATMENT	LUFTBEHANDLUNG	TRAITEMENT DE L'AIR	LUFTBEHANDLING
	ILLUSTRATION 17227-ILLU	ABBILDUNG 17227-ILLU	ILLUSTRATION 17227-ILLU	ILLUSTRATION 17227-ILLU
90	AIR TREATMENT ASSEMBLY	LUFTBEHANDLUNGSMONTAGE	ENSEMBLE DE TRAITEMENT DE L'AIR	LUFTBEHANDLINGSENHET
91	PRESSURE REGULATOR	DRUCKREGLER	REGULATEUR DE PRESSION	REGULATOR
92	AIR NIPPLE	LUFTNIPPEL	BOISE D'AIR	LUFTNIPPEL
93	PUSH-IN FITTING 10	EINSTECKNIPPEL 10	EMBRAYAGE 10	INSTICKSKOPPLING 10
94	Y PUSH-IN FITTING 10	Y-EINSTECKNIPPEL 10	Y-EMBRAYAGE 10	Y-INSTICKSKOPPLING 10
95	HOSE PA 10/8 BLACK	SCHLAUCH PA 10/8 SCHWARZ	TUYAU PA 10/8 NOIR	SLANG PA 10/8 SVART
96	PUSH-IN FITTING 6	EINSTECKNIPPEL 6	EMBRAYAGE 6	INSTICKSKOPPLING 6
97	PUSH-IN FITTING 8	EINSTECKNIPPEL 8	EMBRAYAGE 8	INSTICKSKOPPLING 8



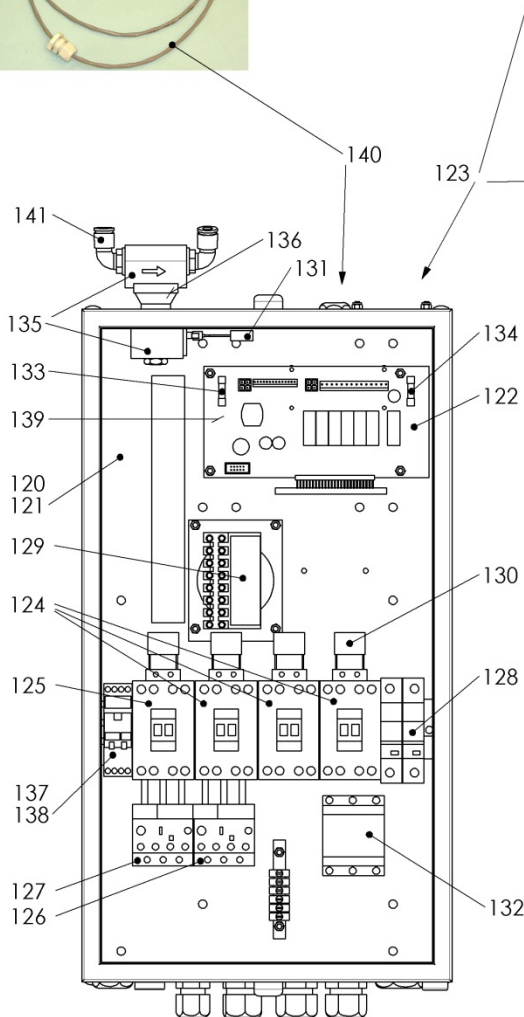
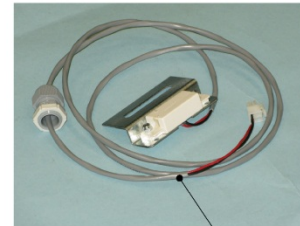
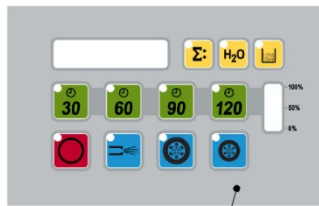
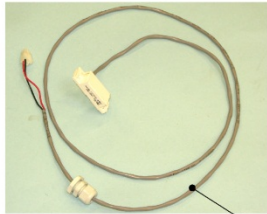
		DRIVING MOTOR UNIT	TREIBMOTOR	MOTEUR D'ENTRAÎNEMENT	DRIVMOTORENHET				
		ILLUSTRATION 17224-ILLU	ABBILDUNG 17224-ILLU	ILLUSTRATION 17224-ILLU	ILLUSTRATION 17224-ILLU				
100	9388-A	DRIVING MOTOR 400V	TREIBMOTOR 400V	MOTEUR D'ENTRAÎNEMENT 400V	DRIVMOTOR 400V				
101	9388-B	DRIVING MOTOR 230V	TREIBMOTOR 230V	MOTEUR D'ENTRAÎNEMENT 230V	DRIVMOTOR 230V				
102	R3970	CONNECTION	KUPPLUNG	ACCOUPLLEMENT	KOPPLING				
103	T0132	RUBBER CROSS	GUMMIKREUZ	CROIX EN CAOUTCHOUC	GUMMIKORS				
		DRIVING MOTOR UNIT	TREIBMOTOR	MOTEUR D'ENTRAÎNEMENT	DRIVMOTORENHET				
		NORTH AMERICA	NORDAMERIKA	L'AMÉRIQUE DU NORD	NORD AMERIKA				
		CERTIFIED BY: INTERTEK REPORT NUMBER	CERTIFIED BY: INTERTEK REPORT NUMBER	CERTIFIED BY: INTERTEK REPORT NUMBER	CERTIFIED BY: INTERTEK REPORT NUMBER				
		1024213STO-001 (UL 921/CSA C22.2 NO.168)	1024213STO-001 (UL 921/CSA C22.2 NO.168)	1024213STO-001 (UL 921/CSA C22.2 NO.168)	1024213STO-001 (UL 921/CSA C22.2 NO.168)				
		ILLUSTRATION 17224-ILLU	ABBILDUNG 17224-ILLU	ILLUSTRATION 17224-ILLU	ILLUSTRATION 17224-ILLU				
T04	R9388-C	DRIVING MOTOR 230V 60Hz	TREIBMOTOR 230V 60Hz	MOTEUR D'ENTRAÎNEMENT 230V 60Hz	DRIVMOTOR 230V 60Hz				



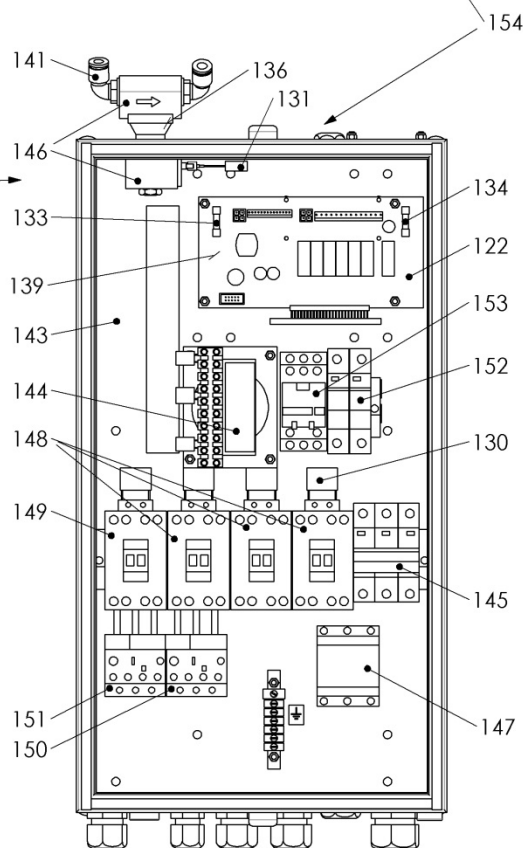
DRIVE SHAFT
SUPPORT ROLL HORIZONTAL

Ritad: HT Rev. dat. 2012-04-02

Doc.nr 17223-ILLU



POWER BOX
9990-AR-B



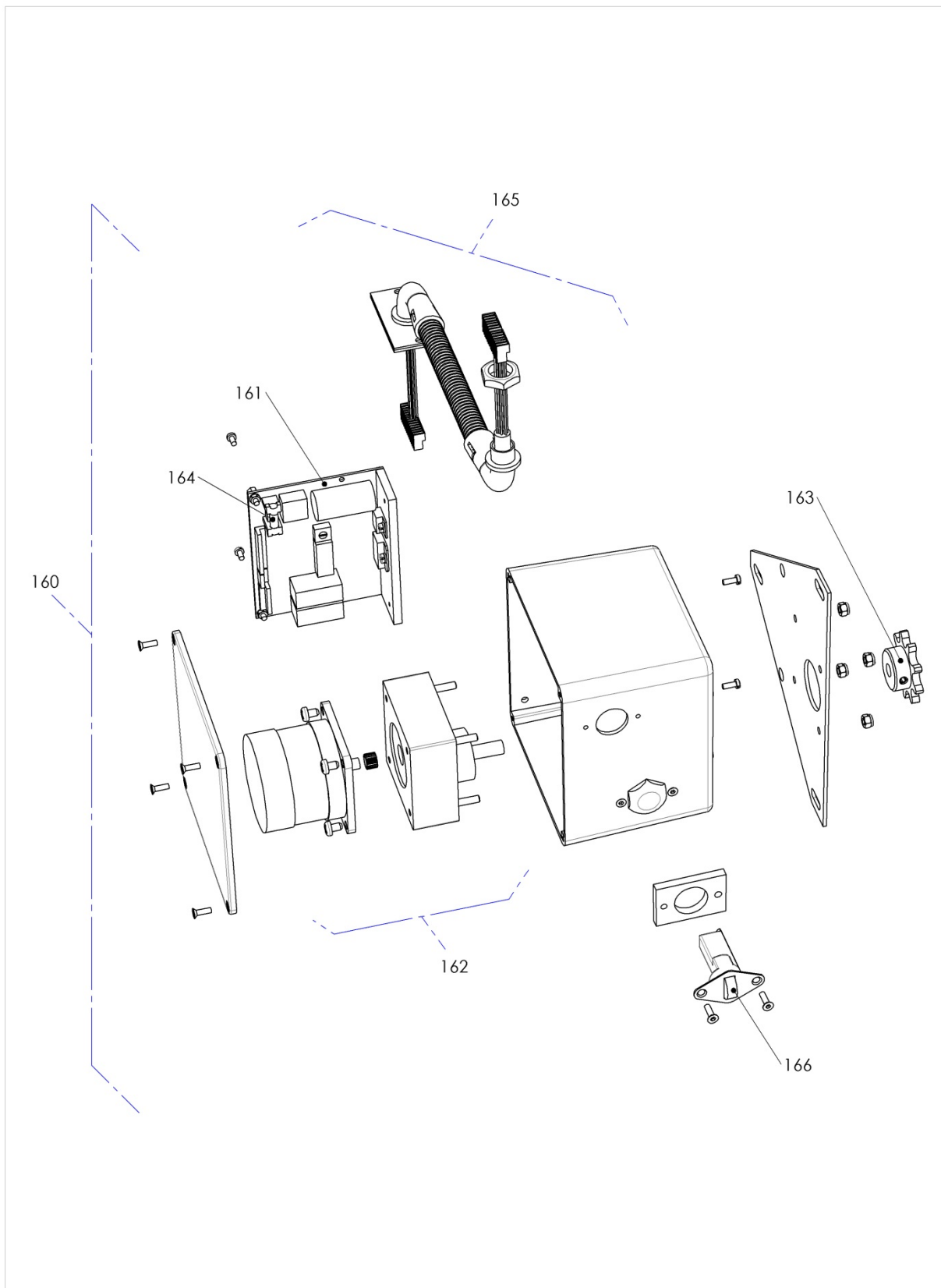
POWER BOX NORTH AMERICA
9990-C



POWER BOX
POWER BOX NORTH AMERICA

Ritad: HT Rev. dat. 2012-04-04
Doc.nr 17225-R

		POWER BOX	ELEKTROSCHALTKASTEN	CAGE DE COMMUTATION	STYRSKÅP		
		ILLUSTRATION 17225-R	ABBILDUNG 17225-R	ILLUSTRATION 17225-R	ILLUSTRATION 17225-R		
120	R9990-AR	POWER BOX 400V	ELEKTROSCHALTKASTEN 400V	CAGE DE COMMUTATION 400V	STYRSKÅP 400V		
121	R9990-B	POWER BOX 230V	ELEKTROSCHALTKASTEN 230V	CAGE DE COMMUTATION 230V	STYRSKÅP 230V		
122	RT13050-R	CONTROL CARD	STEUERKARTE	CARTE DE CONTRÔLE	STYRKORT		
123	RT15051	MEMBRANE KEYBOARD	MEMBRANTASTATUR	CLAVIER A MEMBRANE	MEMBRANTANGENTBORD		
124	R9453	CONTACTOR K1, K2, K3	KONTAKTOR K1, K2, K3	CONTACTEUR K1, K2, K3	KONTAKTOR K1, K2, K3		
125	R9454	CONTACTOR K4	KONTAKTOR K4	CONTACTEUR K4	KONTAKTOR K4		
126	R9455	MOTOR PROTECTOR MS1 400V/230V	MOTORSCHUTZ MS1 400V/230V	PROTECTION DE MOTEUR MS1 400V/230V	MOTORSKYDD MS1 400V/230V		
127	R9456	MOTOR PROTECTOR MS2 400V/230V	MOTORSCHUTZ MS2 400V/230V	PROTECTION DE MOTEUR MS2 400V/230V	MOTORSKYDD MS2 400V/230V		
128	R9457	CIRCUIT BREAKER	AUTOMATISICHERUNG	FUSIBLES AUTOMATIQUES	AUTOMATSÅKRING		
129	R9458	TRANSFORMER	TRANSFORMATOR	TRANSFORMATEUR	TRANSFORMATOR		
130	RT0925	RC-NET 5-PAC	RC-NET 5-PACK	RESEAU RC 5 PCS	RC-NAT 5-PACK		
131	15564	RC-NET MONTAGE	RC-NETMONTAGE	RESEAU RC COMPLETE	RC-NAT MONTAGE		
132	R9463	MAIN SWITCH	HAUPTSCHALTER	INTERRUPTEUR PRINCIPAL	HUVUDBRYTARE		
133	R9466	FUSE 500 mA AT 10-PAC	SICHERUNG 500 mA AT 10-PACK	FUSIBLE 500 mA AT 10 PCS	ÅKRING 500 mA AT 10-PACK		
134	R9467	FUSE 3.15 AT 10-PAC	SICHERUNG 3.15 AT 10-PACK	FUSIBLE 3.15 AT 10 PCS	ÅKRING 3.15 AT 10-PACK		
135	R6029	AIR VALVE	LUFTVENTIL	VALVE D'AIR	MAGNETVENTIL		
136	RT1684	MEMBRANE	MEMBRAN	MEMBRANE	MEMBRAN		
137	RT10741	RELAY	RELAIS	RELAIS	RELA		
138	RT14968	RELAY 230V	RELAIS 230V	RELAIS 230V	RELA 230V		
139	RT1945	BARGRAPH	BARGRAPH	BARGRAPHIE	BARGRAPH		
140	RT15988	SAFETY CONTACTS	SICHERHEITSSCHALTER	INTERRUPTEUR DE SECURITE	ÅKERHETSBRYTARE		
141	14999	PUSH-IN FITTING 10 ANGLED	LUFTKUPPLING 10 WINKELFORMIG	EMBRAYAGE 10 ANGLE	INSTICKSKOPPLING 10 VINKLAD		
		POWER BOX	ELEKTROSCHALTKASTEN	CAGE DE COMMUTATION	STYRSKÅP		
		NORTH AMERICA	NORDAMERIKA	L'AMÉRIQUE DU NORD	NORD AMERIKA		
		CERTIFIED BY: INTERTEK REPORT NUMBER	CERTIFIED BY: INTERTEK REPORT NUMBER	CERTIFIED BY: INTERTEK REPORT NUMBER	CERTIFIED BY: INTERTEK REPORT NUMBER		
		10242135TO-001 (UL 921/CSA C22.2 NO.168)	10242135TO-001 (UL 921/CSA C22.2 NO.168)	10242135TO-001 (UL 921/CSA C22.2 NO.168)	10242135TO-001 (UL 921/CSA C22.2 NO.168)		
		ILLUSTRATION 17225-R	ABBILDUNG 17225-R	ILLUSTRATION 17225-R	ILLUSTRATION 17225-R		
143	R9990-C	POWER BOX 230V NORTH AMERICA	ELEKTROSCHALTKASTEN 230V NORDAMERIKA	CAGE DE COMMUTATION 230V L'AMÉRIQUE DU NORD	STYRSKÅP 230V NORD AMERIKA		
144	RT17113	TRANSFORM T1 NORTH AMERICA	TRANSFORMATOR T1 NORDAMERIKA	TRANSFORMATEUR T1 L'AMÉRIQUE DU NORD	TRANSFORMATOR T1 NORD AMERIKA		
145	RT17111	CIRCUIT BREAKER F1 NORTH AMERICA	AUTOMATISICHERUNG F1 NORDAMERIKA	FUSIBLES AUTOMATIQUES F1 L'AMÉRIQUE DU NORD	AUTOMATSÅKRING F1 NORD AMERIKA		
146	RT17114	AIR VALVE Y1 NORTH AMERICA	LUFTVENTIL Y1 NORDAMERIKA	VALVE D'AIR Y1 L'AMÉRIQUE DU NORD	MAGNETVENTIL Y1 NORD AMERIKA		
147	RT17233	MAIN SWITCH O1 NORTH AMERICA	HAUPTSCHALTER O1 NORDAMERIKA	INTERRUPTEUR PRINCIPAL O1 L'AMÉRIQUE DU NORD	HUVUDBRYTARE O1 NORD AMERIKA		
148	RT17235	CONTACTOR K1, K2, K3 NORTH AMERICA	KONTAKTOR K1, K2, K3 NORDAMERIKA	CONTACTEUR K1, K2, K3 L'AMÉRIQUE DU NORD	KONTAKTOR K1, K2, K3 NORD AMERIKA		
149	RT17234	CONTACTOR K4 NORTH AMERICA	KONTAKTOR K4 NORDAMERIKA	CONTACTEUR K4 L'AMÉRIQUE DU NORD	KONTAKTOR K4 NORD AMERIKA		
150	RT17236	MOTOR PROTECTOR O2 NORTH AMERICA	MOTORSCHUTZ O2 NORDAMERIKA	PROTECTION DE MOTEUR O2 L'AMÉRIQUE DU NORD	MOTORSKYDD O2 NORD AMERIKA		
151	RT17237	MOTOR PROTECTOR O3 NORTH AMERICA	MOTORSCHUTZ O3 NORDAMERIKA	PROTECTION DE MOTEUR O3 L'AMÉRIQUE DU NORD	MOTORSKYDD O3 NORD AMERIKA		
152	RT17238	CIRCUIT BREAKER F2 NORTH AMERICA	AUTOMATISICHERUNG F2 NORDAMERIKA	FUSIBLES AUTOMATIQUES F2 L'AMÉRIQUE DU NORD	AUTOMATSÅKRING F2 NORD AMERIKA		
153	RT17241	RELAYS NORTH AMERICA	RELAIS NORTH AMERICA	RELAIS K5 L'AMÉRIQUE DU NORD	RELA K5 NORD AMERIKA		
154	RT17242	SAFETY CONTACTS NORTH AMERICA	SICHERHEITSSCHALTER NORDAMERIKA	INTERRUPTEUR DE SECURITE L'AMÉRIQUE DU NORD	ÅKERHETSBRYTARE NORD AMERIKA		
155	RT17118	PLUG NORTH AMERICA	STECKER NORDAMERIKA	FICHE DE PRISE DE COURANT L'AMÉRIQUE DU NORD	KONTAKTDON NORD AMERIKA		



		DYNABOX	SCHRITTMOTORKASTEN	CARTER D'AVANCE	MATARVERK	
		ILLUSTRATION 17228-ILLU	ABBILDUNG 17228-ILLU	ILLUSTRATION 17228-ILLU	ILLUSTRATION 17228-ILLU	
160	R10186-AR	DYNABOX	SCHRITTMOTORKASTEN	CARTER D'AVANCE	MATARVERK	
161	R13060-R	CIRCUIT BOARD	PLATINE	PLATINE	MATARVERKSKORT	
162	R9472	STEPPING MOTOR	SCHRITTMOTOR	MOTEUR	STEGMOTOR	
163	R9474	SPROCKET	KETTENRAD	ROUE A CHAINE	KEDJEDREV	
164	R9469	FUSE 2.5 AT 10-PAC	SICHERUNG 2.5 AT 10-PACK	FUSIBLE 2.5 AT 10 PCES	SAKRING 2.5 AT 10-PACK	
165	R14399	CONTROL CABLE	SIGNALKABEL	CABLE	SIGNALKABEL	
166	R9473	SWITCH	ENDSCHALTER	INTERRUPTEUR DE FIN DE COURSE	GRANSLAGESBRYTARE	

IMMERSION HEATER 14880/14890

3-Wire Cable

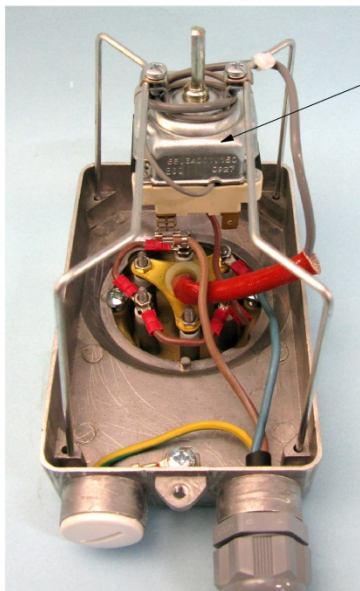
170
171



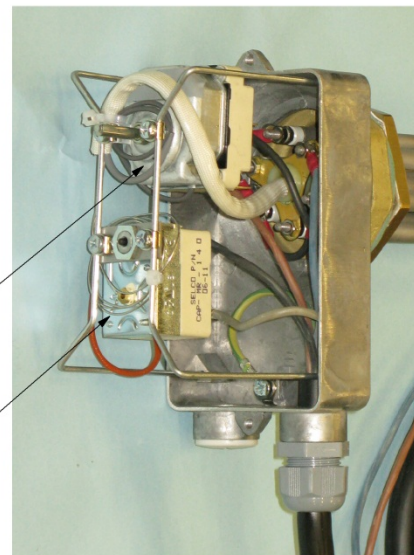
IMMERSION HEATER 15890
NORTH AMERICA

5-Wire Cable

175



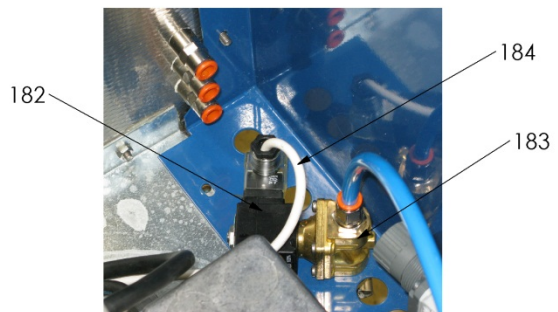
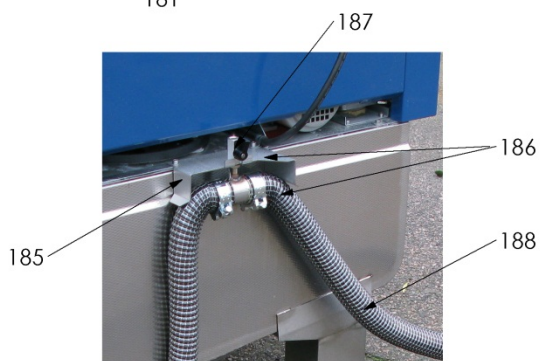
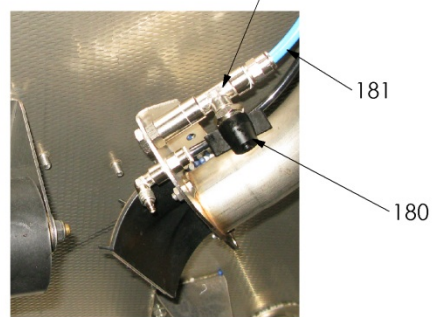
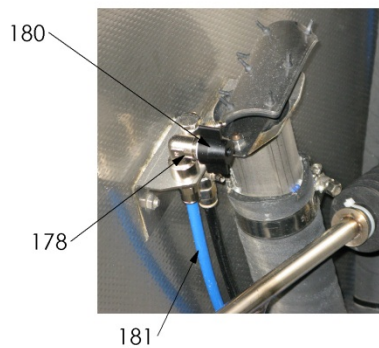
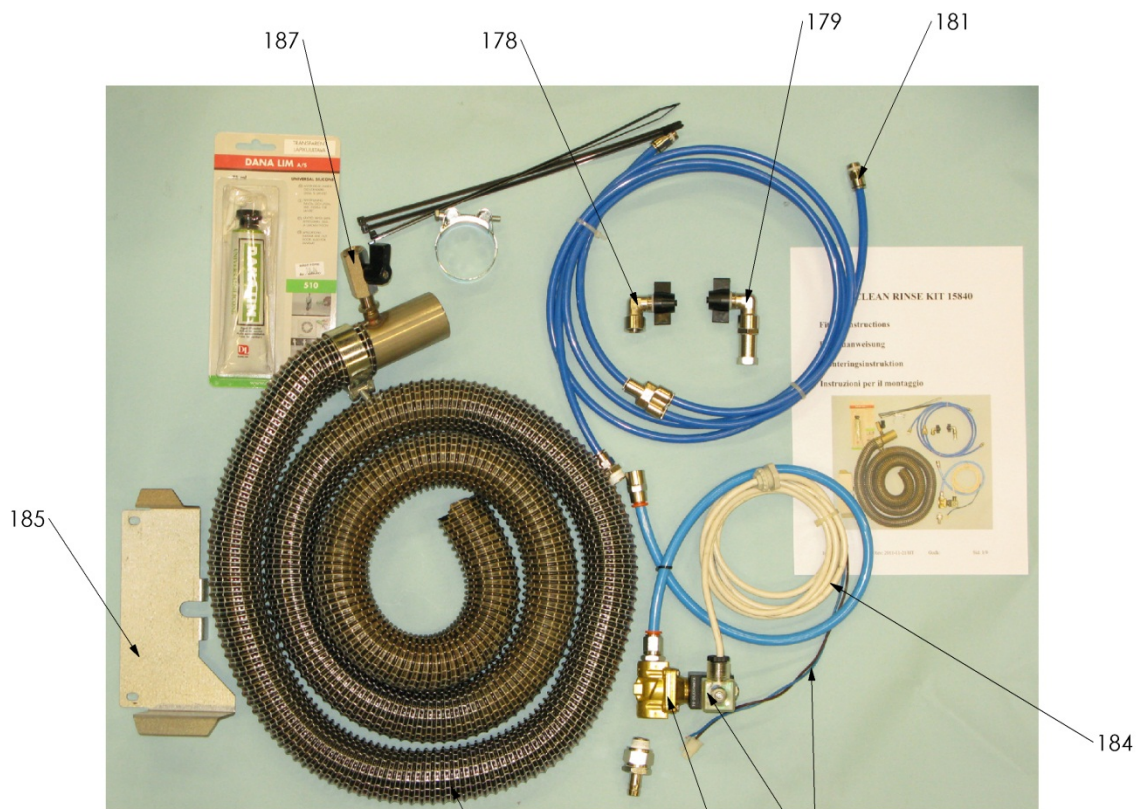
172



176

177

			IMMERSION HEATER 14880, 14890	IMMERSION HEATER 14880, 14890	IMMERSION HEATER 14880, 14890	IMMERSION HEATER 14880, 14890	
			ILLUSTRATION 17229-R	ABBILDUNG 17229-R	ILLUSTRATION 17229-R	ILLUSTRATION 17229-R	
170	14880		IMMERSION HEATER 400V	IMMERSION HEATER 400V	THERMOPLONGEUR 400V	IMMERSION HEATER 400V	
171	14890		IMMERSION HEATER 230V	IMMERSION HEATER 230V	THERMOPLONGEUR 230V	IMMERSION HEATER 230V	
172	R15204		THERMOSTAT	THERMOSTAT	THERMOSTAT	THERMOSTAT	
			IMMERSION HEATER 15890	IMMERSION HEATER 15890	CHAUFFAGE IMMERGÉ 15890	IMMERSION HEATER 15890	
			NORTH AMERICA	NORDAMERIKA	L'AMERIQUE DU NORD	NORD AMERIKA	
			CERTIFIED BY: INTERTEK REPORT NUMBER	CERTIFIED BY: INTERTEK REPORT NUMBER	CERTIFIED BY: INTERTEK REPORT NUMBER	CERTIFIED BY: INTERTEK REPORT NUMBER	
			1024213STO-001 (UL 921/CSA C22.2 NO.168)	1024213STO-001 (UL 921/CSA C22.2 NO.168)	1024213STO-001 (UL 921/CSA C22.2 NO.168)	1024213STO-001 (UL 921/CSA C22.2 NO.168)	
			ILLUSTRATION 17229-R	ABBILDUNG 17229-R	ILLUSTRATION 17229-R	ILLUSTRATION 17229-R	
175	15890		IMMERSION HEATER 230V NORTH AMERICA	IMMERSION HEATER 230V NORDAMERIKA	THERMOPLONGEUR 230V L'AMERIQUE DU NORD	IMMERSION HEATER 230V NORD AMERIKA	
176	R17219		THERMOSTAT NORTH AMERICA	THERMOSTAT NORDAMERIKA	THERMOSTAT L'AMERIQUE DU NORD	THERMOSTAT NORD AMERIKA	
177	R17216		CUT-OFF THERMOSTAT NORTH AMERICA	CUT-OFF THERMOSTAT NORDAMERIKA	CUT-OFF THERMOSTAT L'AMERIQUE DU NORD	CUT-OFF THERMOSTAT NORD AMERIKA	



HEDSON TECHNOLOGIES

CLEAN RINSE KIT 15840

Ritad:	HT	Rev. dat.	2012-04-19
Doc.nr			17231-R

	CLEAN RINSE KIT 15840	CLEAN RINSE KIT 15840	CLEAN RINSE KIT 15840	CLEAN RINSE KIT 15840	CLEAN RINSE KIT 15840
	ILLUSTRATION 17231-R	ABBILDUNG 17231-R	ILLUSTRATION 17231-R	ILLUSTRATION 17231-R	ILLUSTRATION 17231-R
178	NOZZLE ASSEMBLY LEFT	MUNDSTÜCKKOMPONENTE LINKS	JET DE COUSSINET GAUCHE	MUNSTYCKE VÄNSTER	
179	NOZZLE ASSEMBLY RIGHT	MUNDSTÜCKKOMPONENTE RECHTS	JET DE COUSSINET DROIT	MONTAGE MUNSTYCKE HÖGER	
180	NOZZLES 2-PAC	MUNDSTÜCKEN 2-PACK	JET 2 PCES	MUNSTYCKEN 2-PACK	
181	HOSE ASSEMBLY	SCHLAUCHKOMPONENTE	TUYAU DE COUSSINET	MONTAGE SLANGSATS	
182	ASSEMBLY SOLENOID VALVE	MAGNETVENTILKOMPONENTE	VALVE ELECTROMAGNETIQUE DE COUSSINET	MONTAGE MAGNETVENTIL	
183	SOLENOID VALVE	MAGNETVENTIL	VALVE ELECTROMAGNETIQUE	MAGNETVENTIL	
184	CABLE SOLENOID VALVE	KABEL MAGNETVENTIL	CABLE VALVE ELECTROMAGNETIQUE	KABEL MAGNETVENTIL	
185	MOUNTING PLATE	GEHÄUSELASCHE	PLAQUE DE SERRAGE	FÄSTPLÅT	
186	ASSEMBLY DRAINAGE	AUSFLUSSKOMPONENTE	EVACUATION DE COUSSINET	BREDDAVLOPP KOMPLETT	
187	BALL VALVE	KUGELVENTIL	CLAPET A BILLE	KULVENTIL	
188	DRAINING HOSE	ENTLEHRUNGSSCHLAUCH	TUYAU DEVACUATION	TÖMMINGSSJANG	