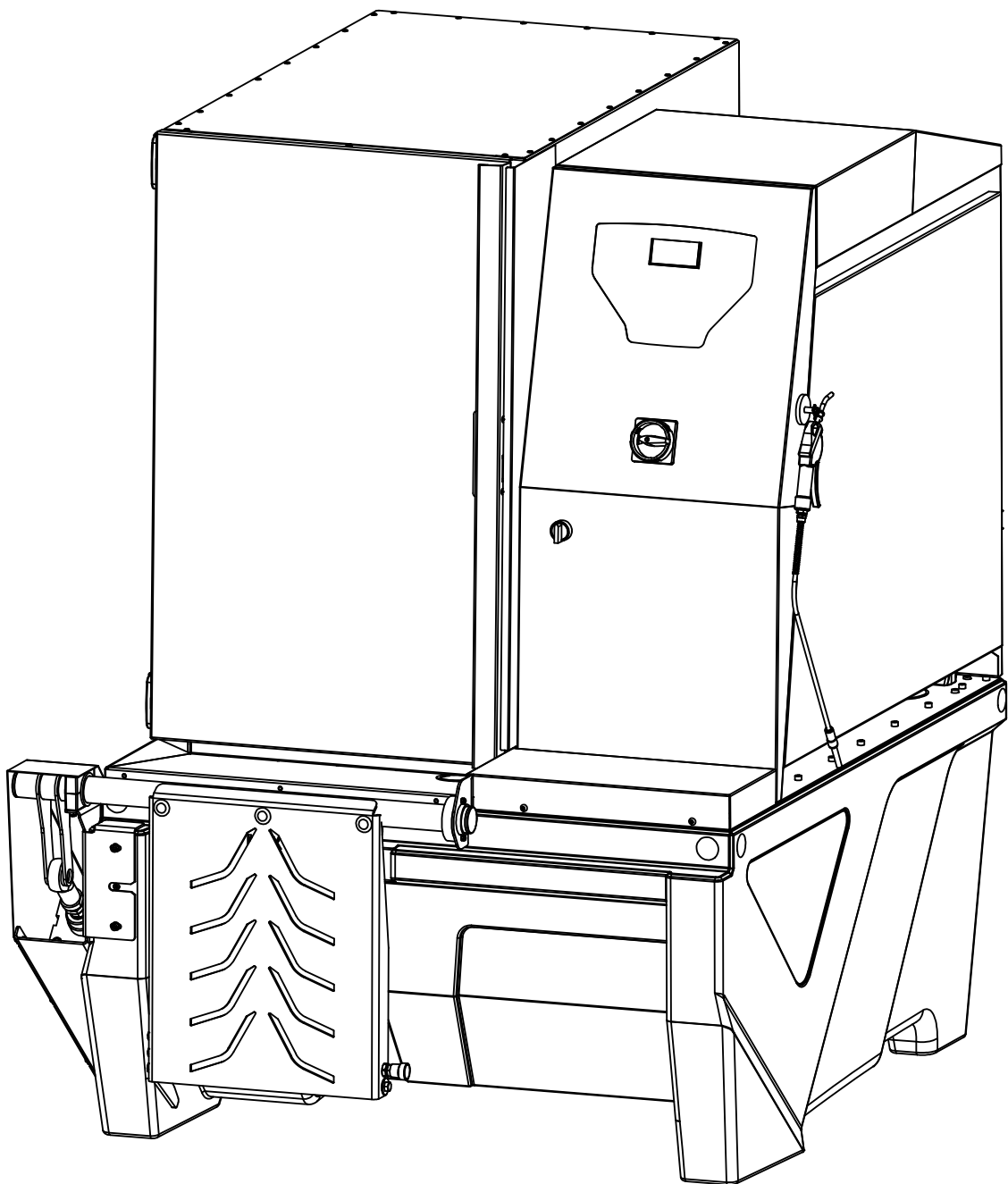
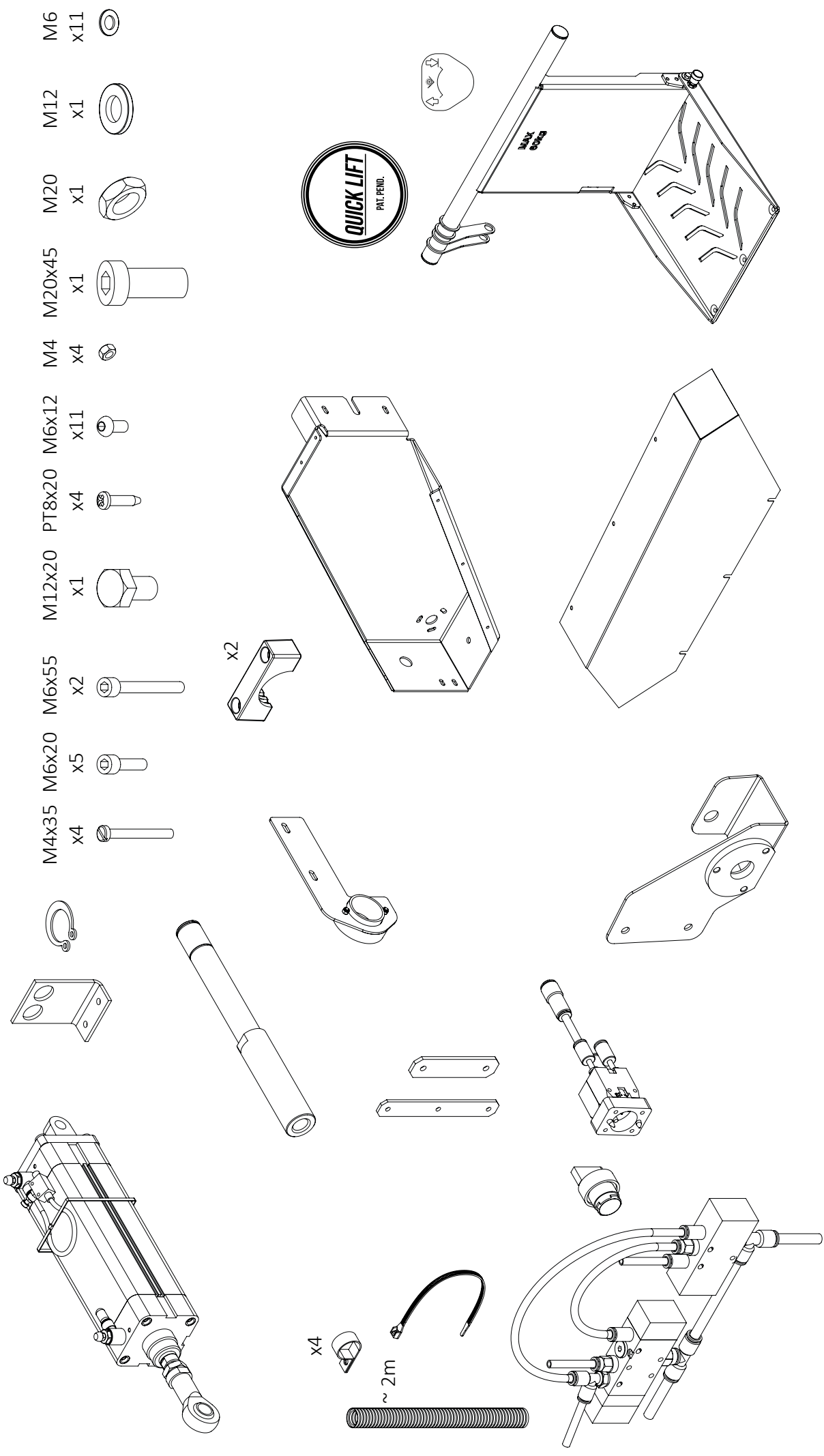
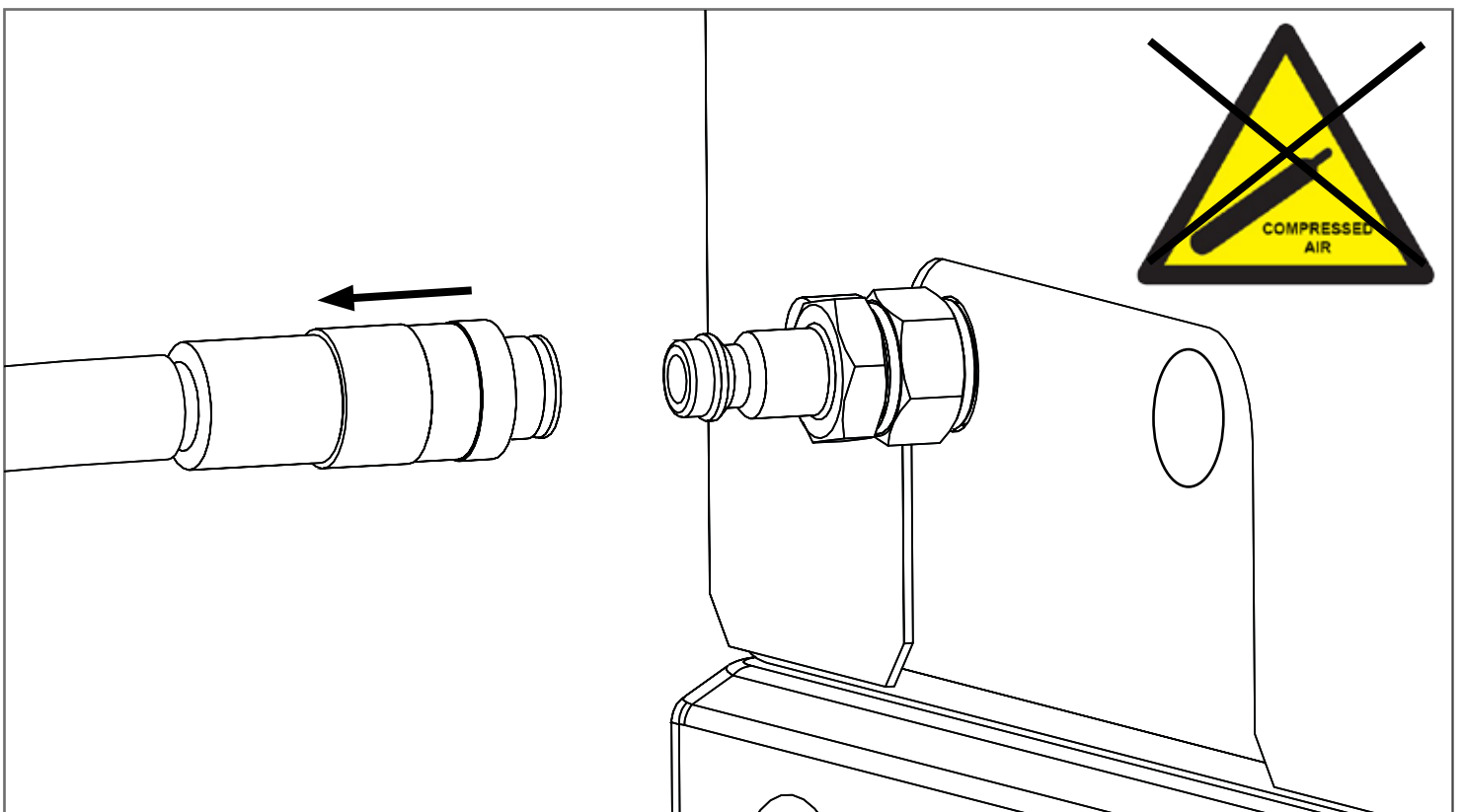
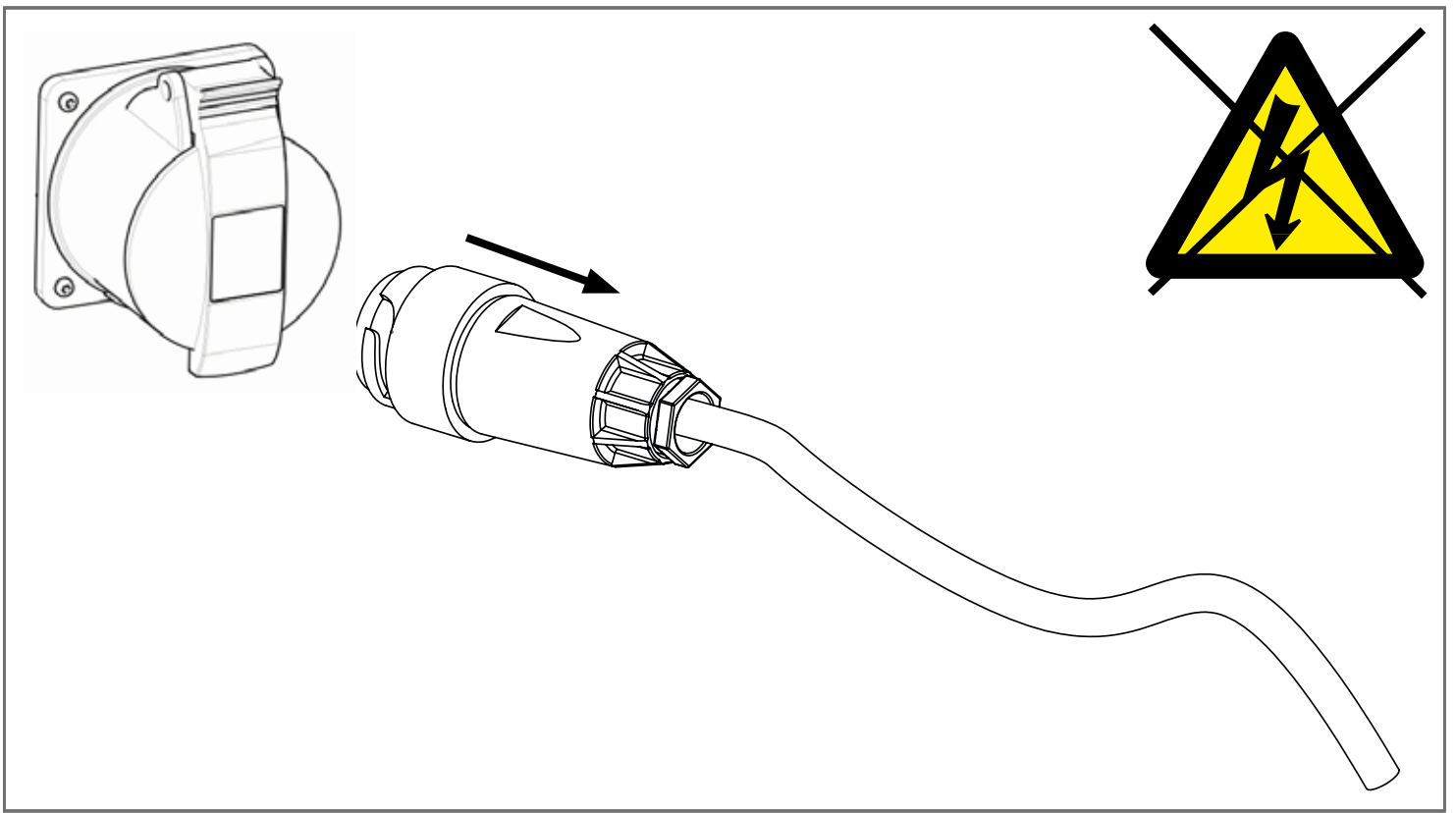
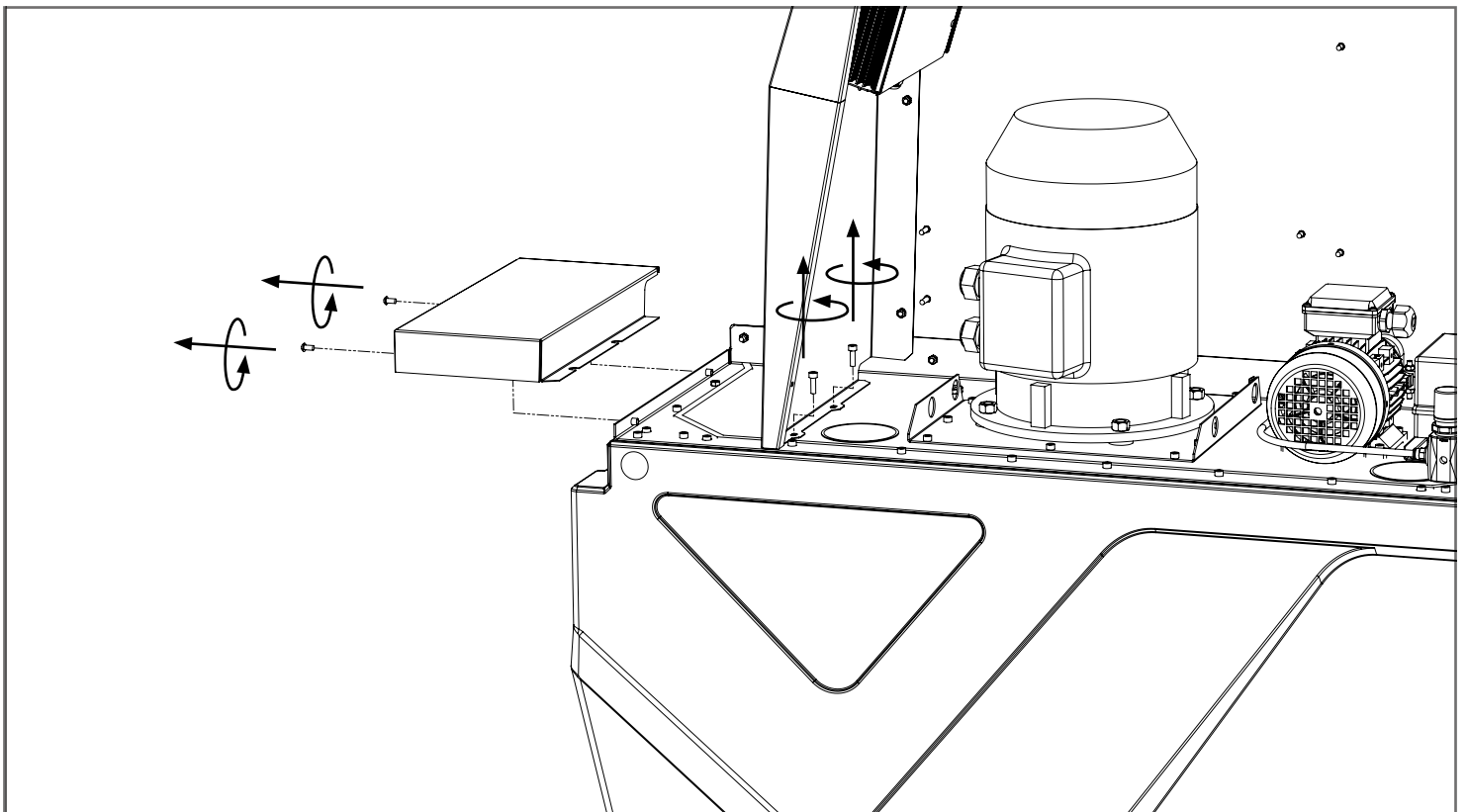
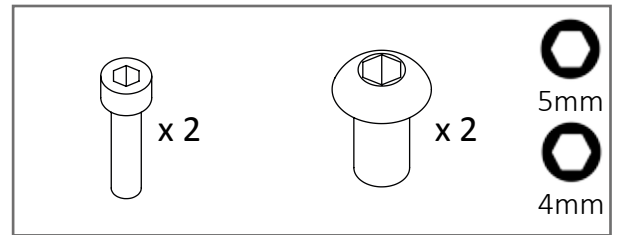
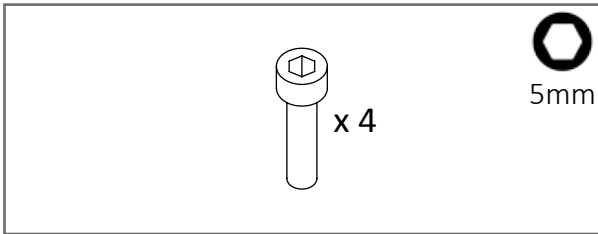
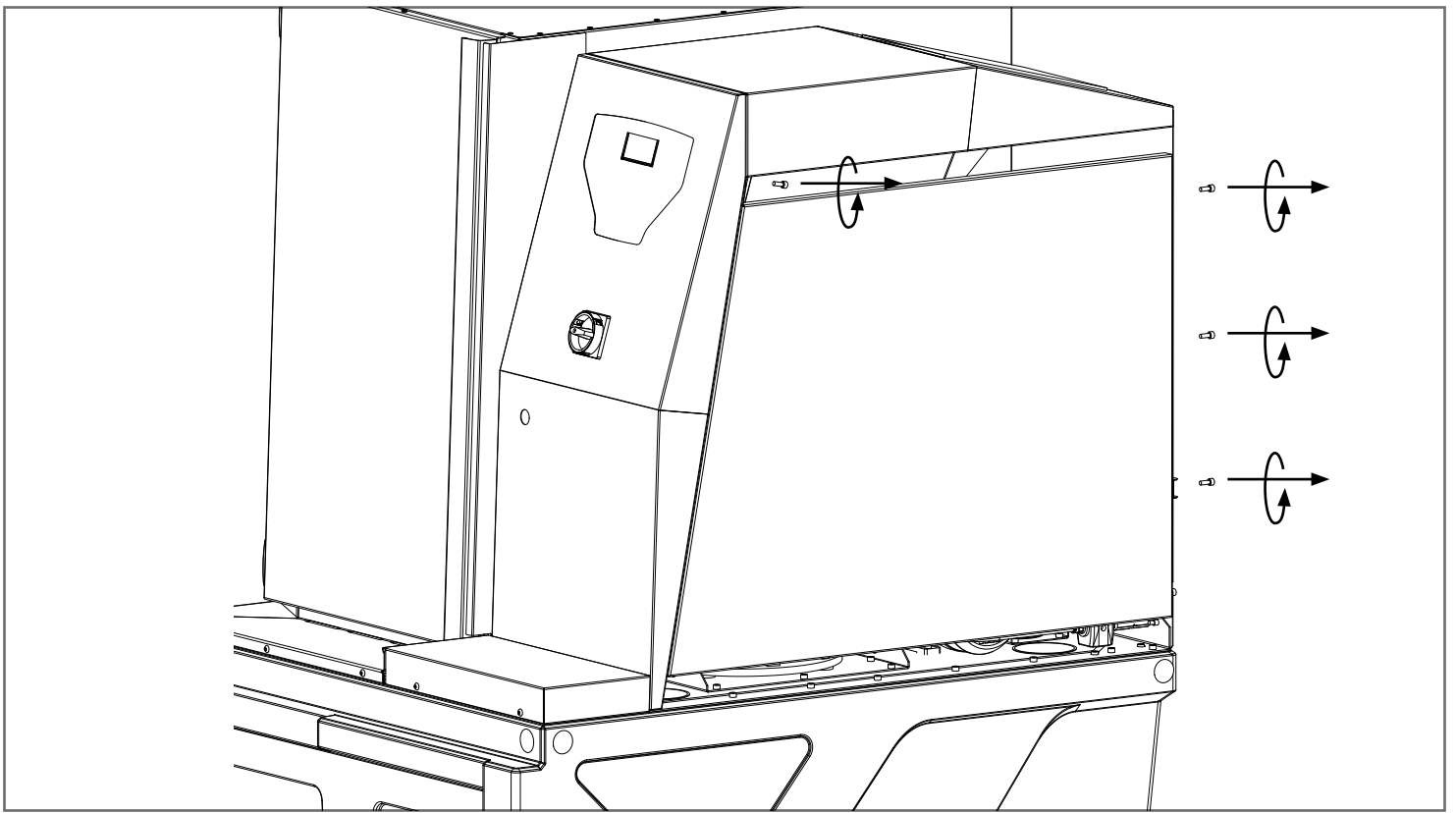


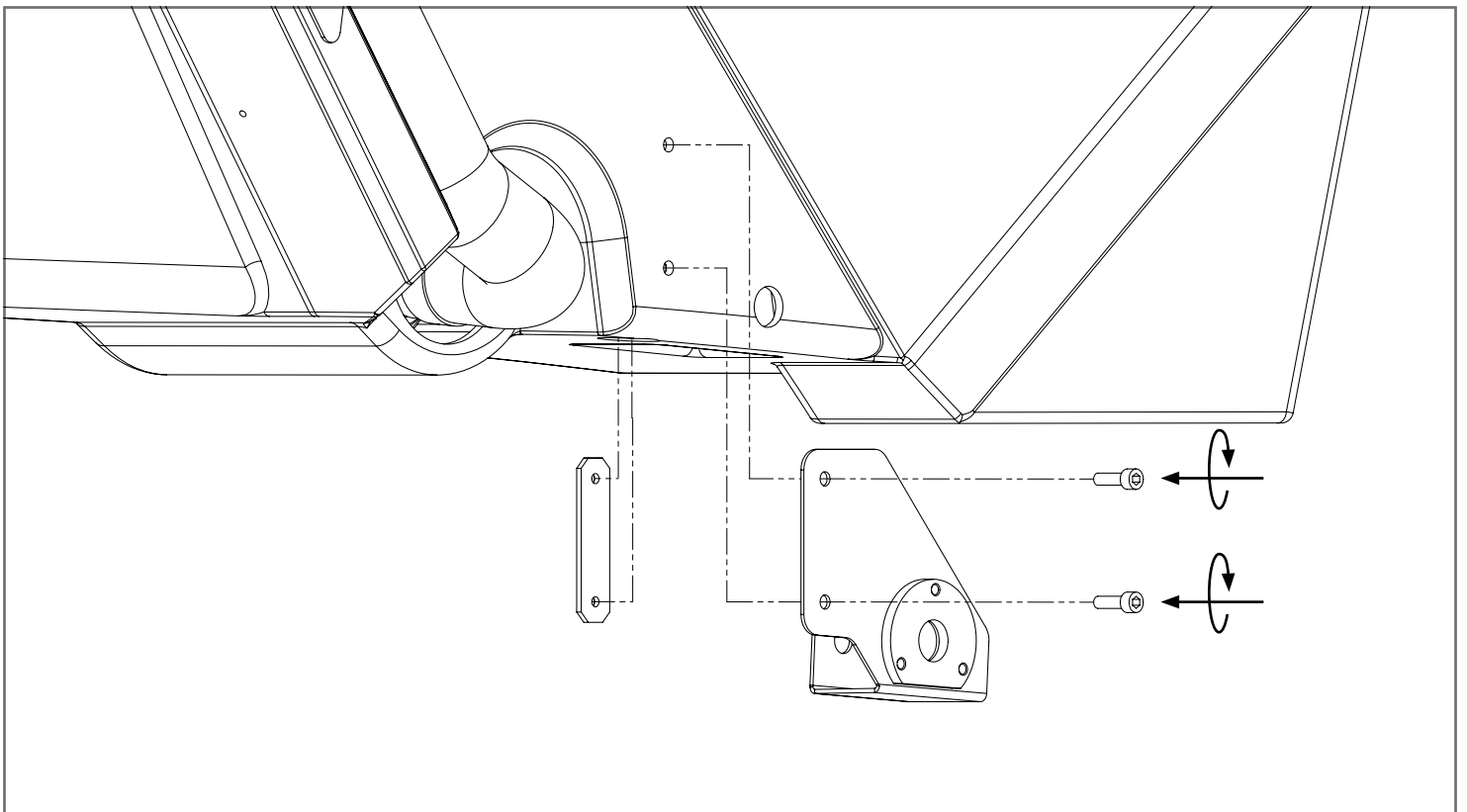
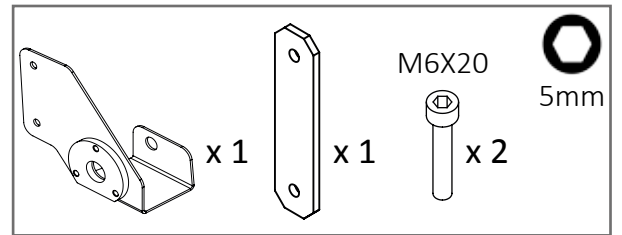
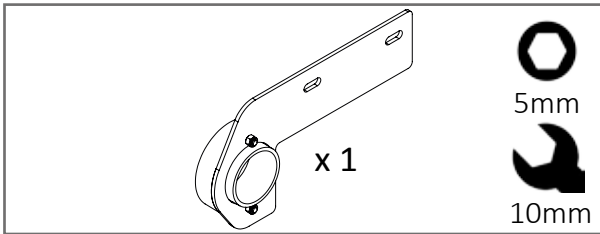
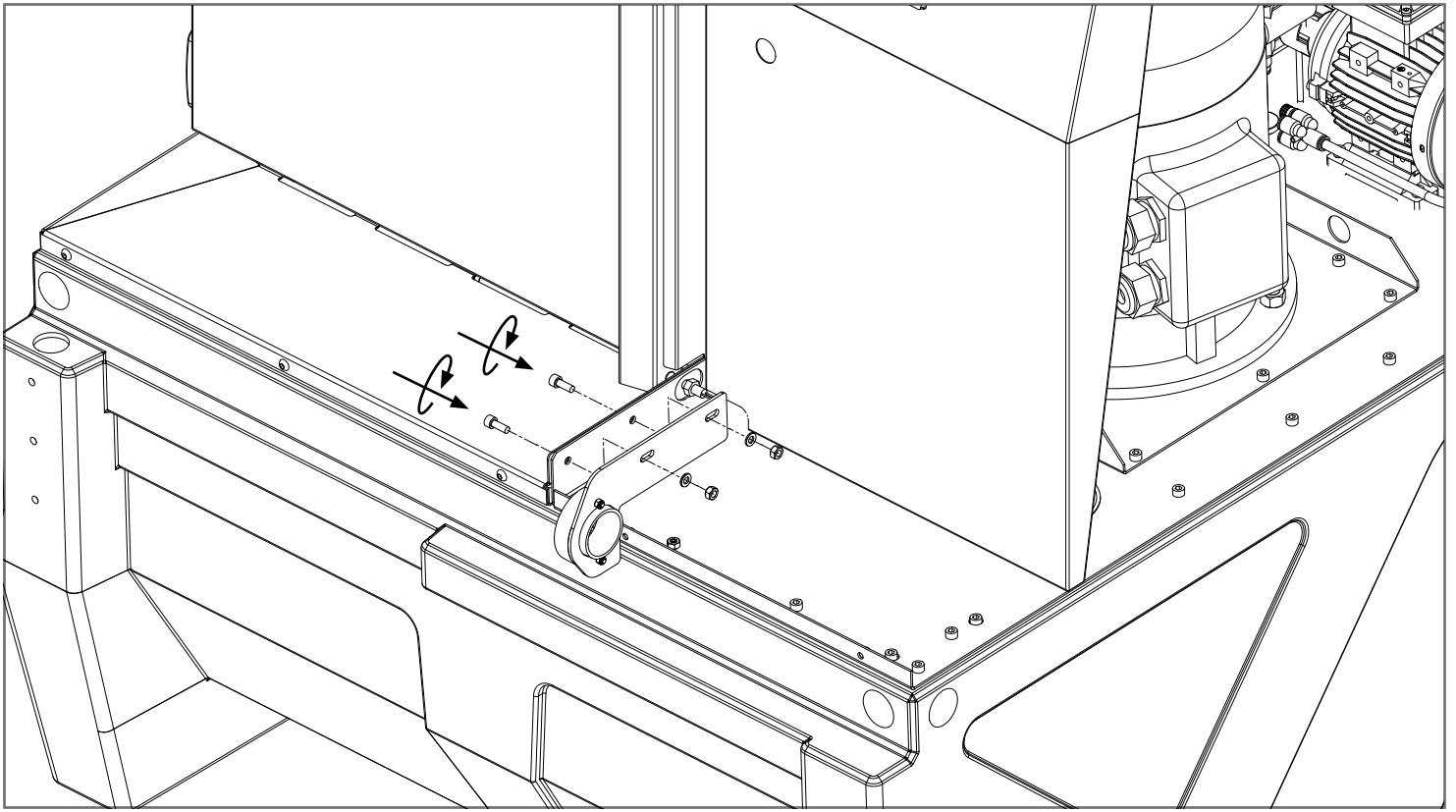
RETROFIT QUICK LIFT

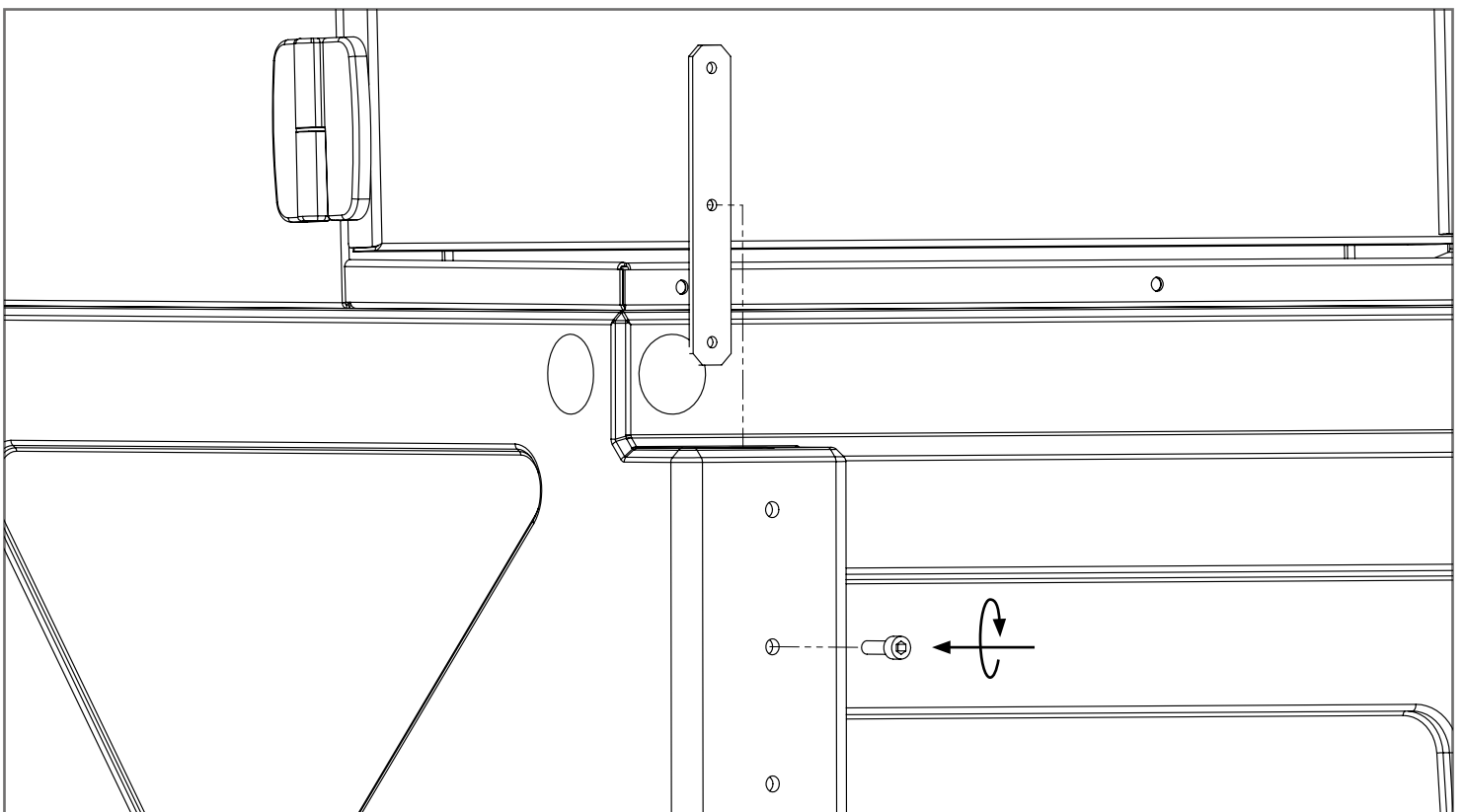
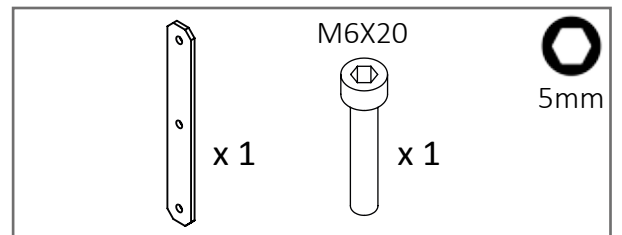
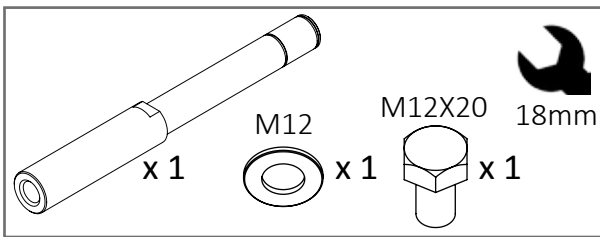
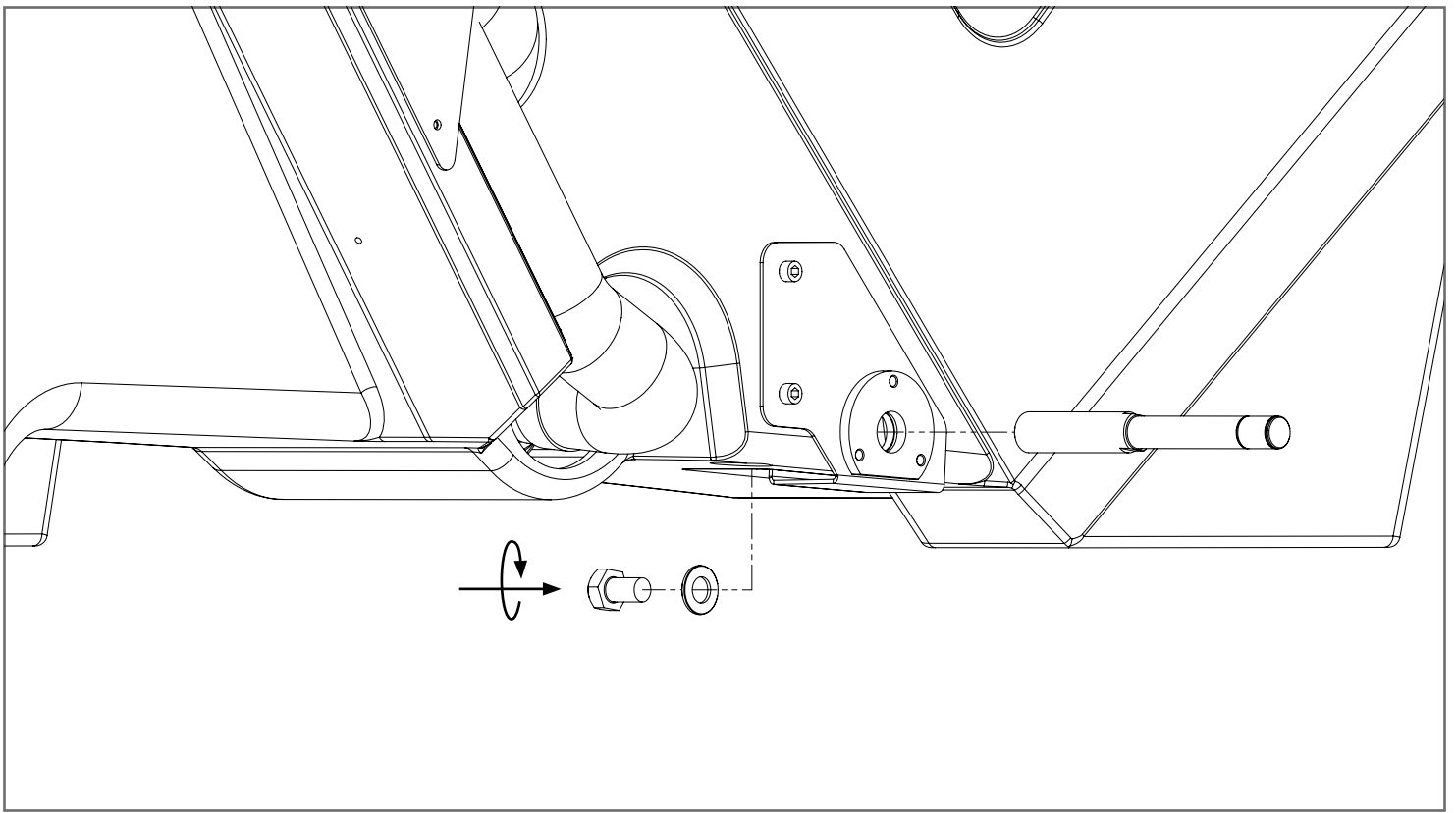


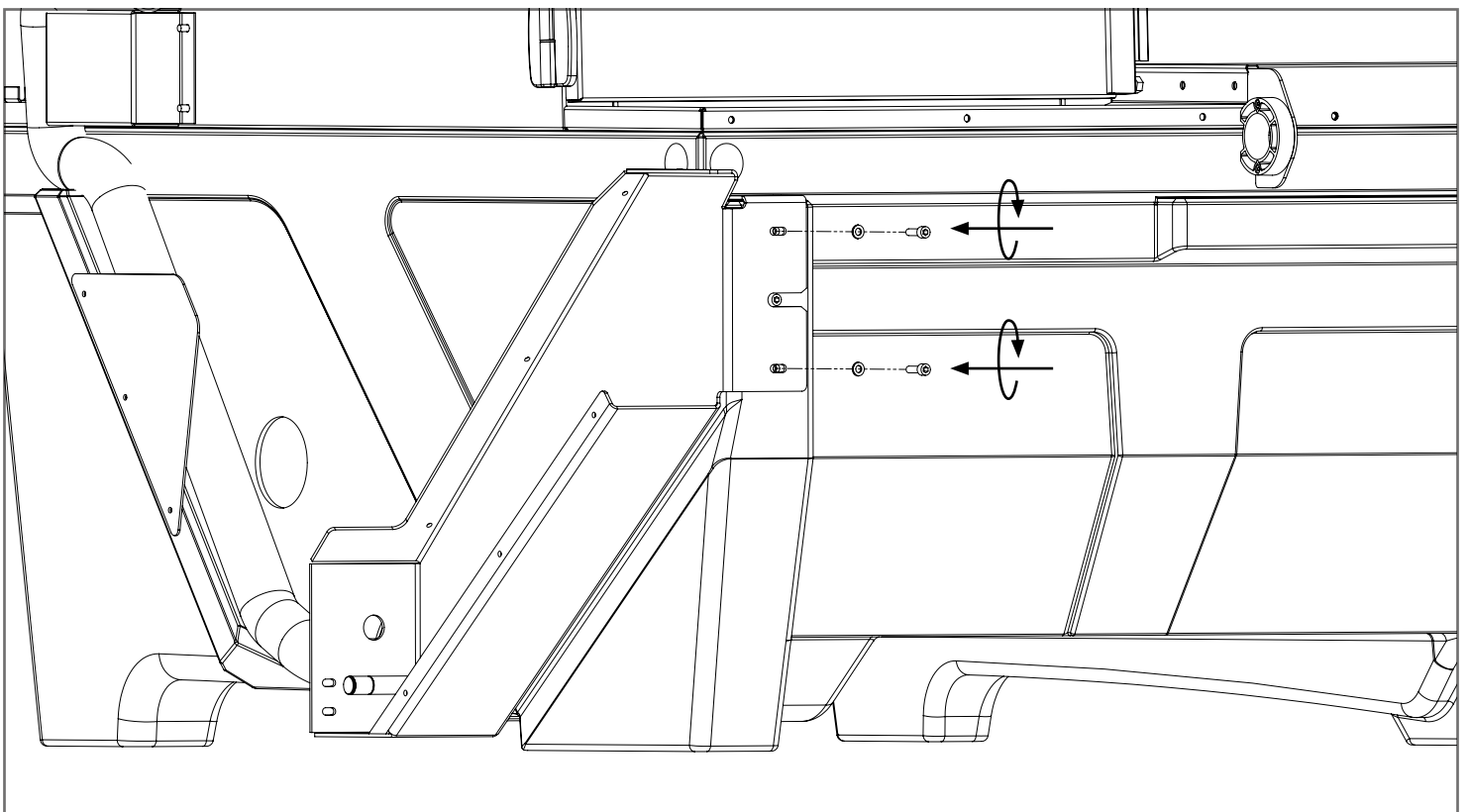
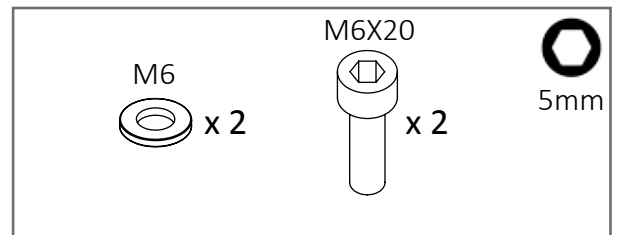
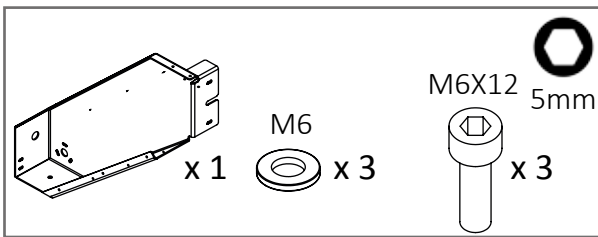
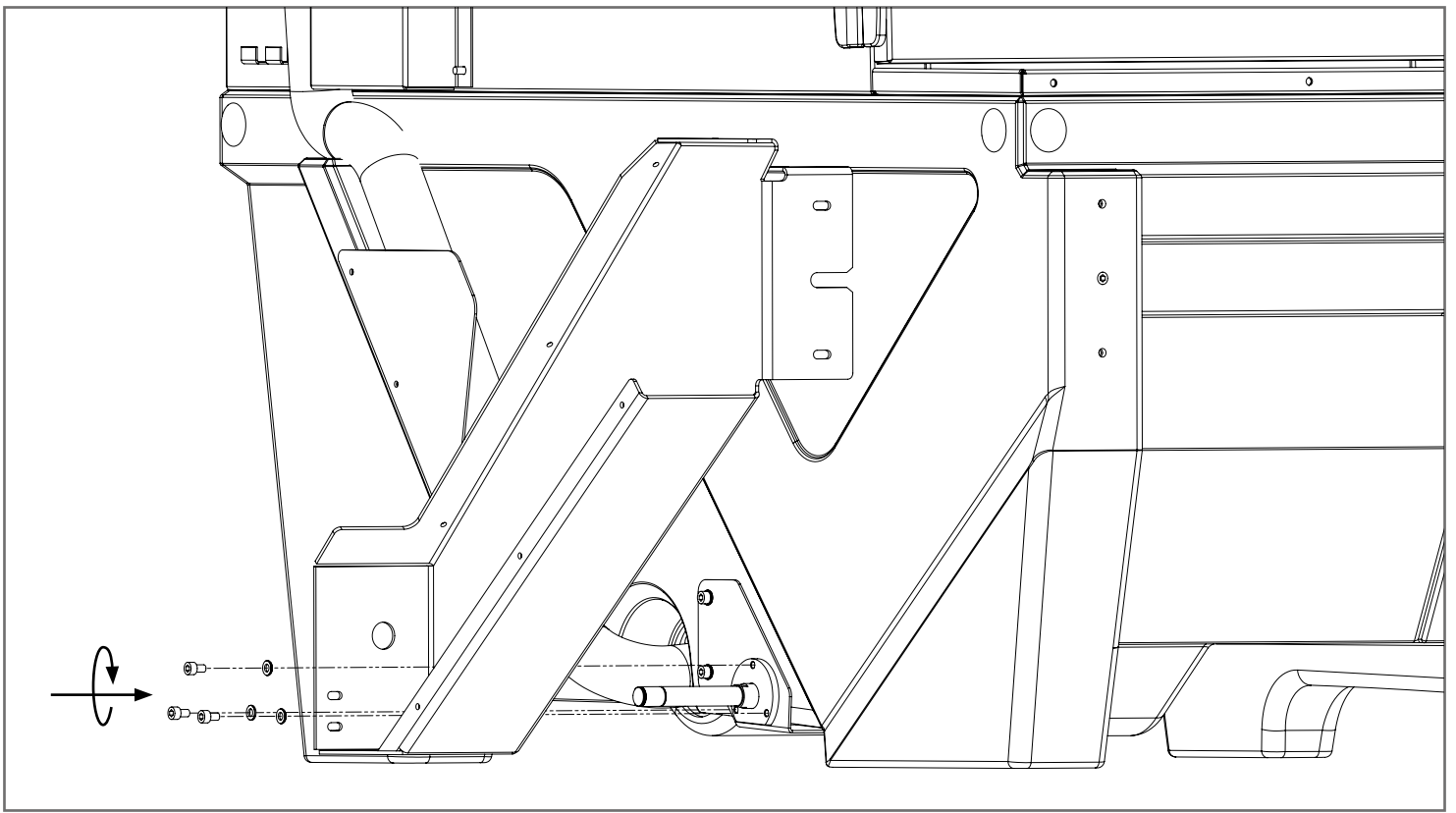


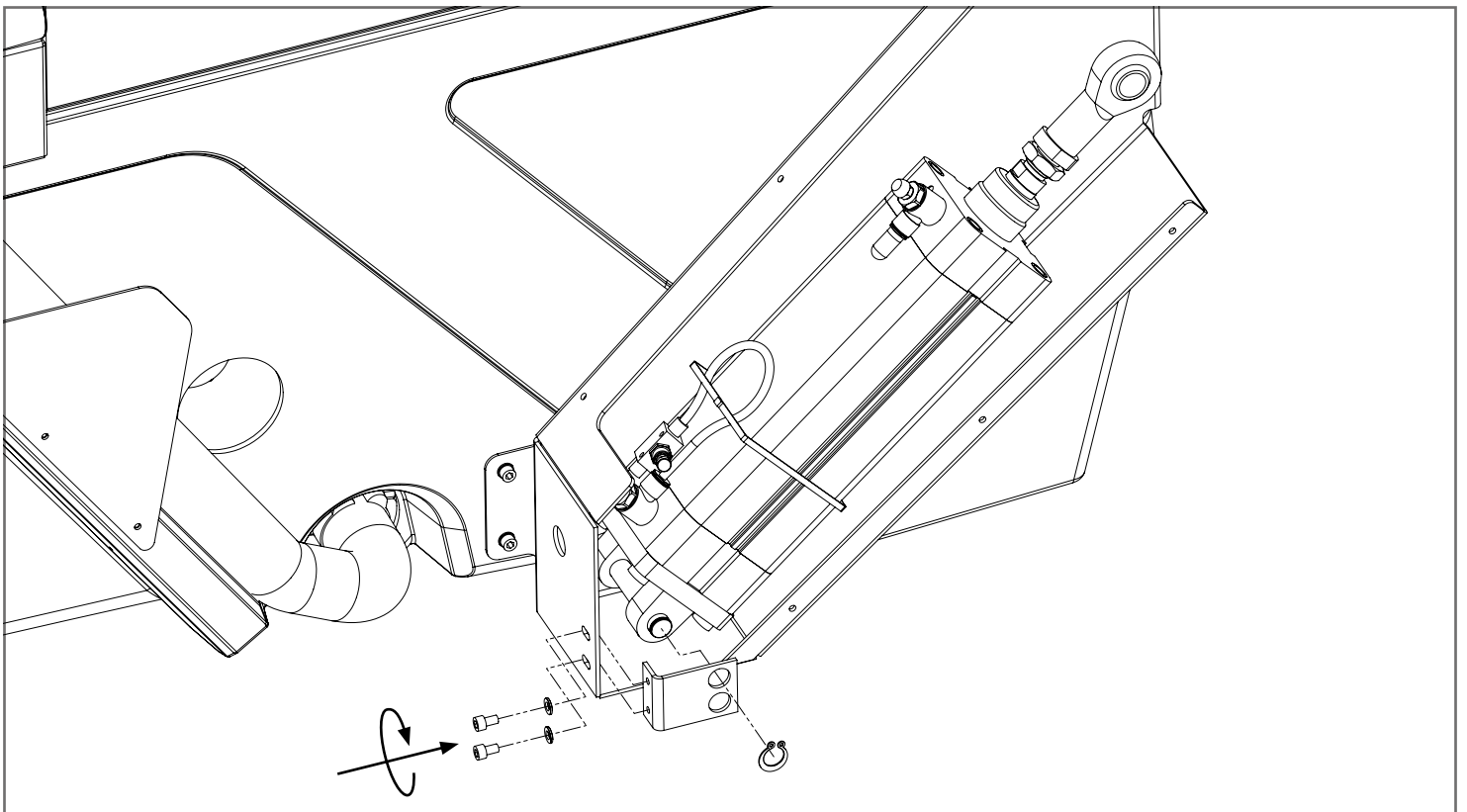
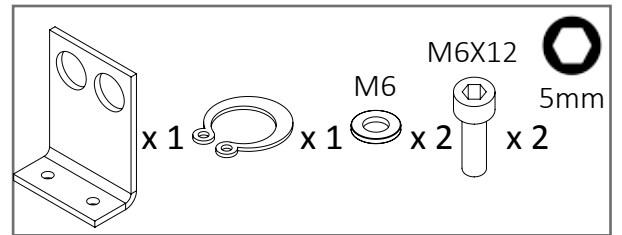
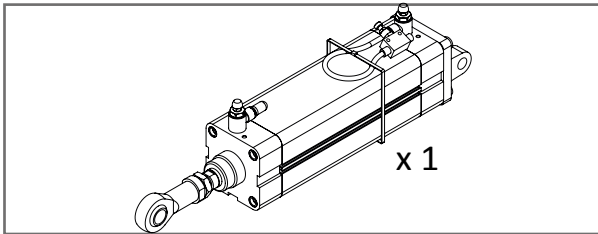
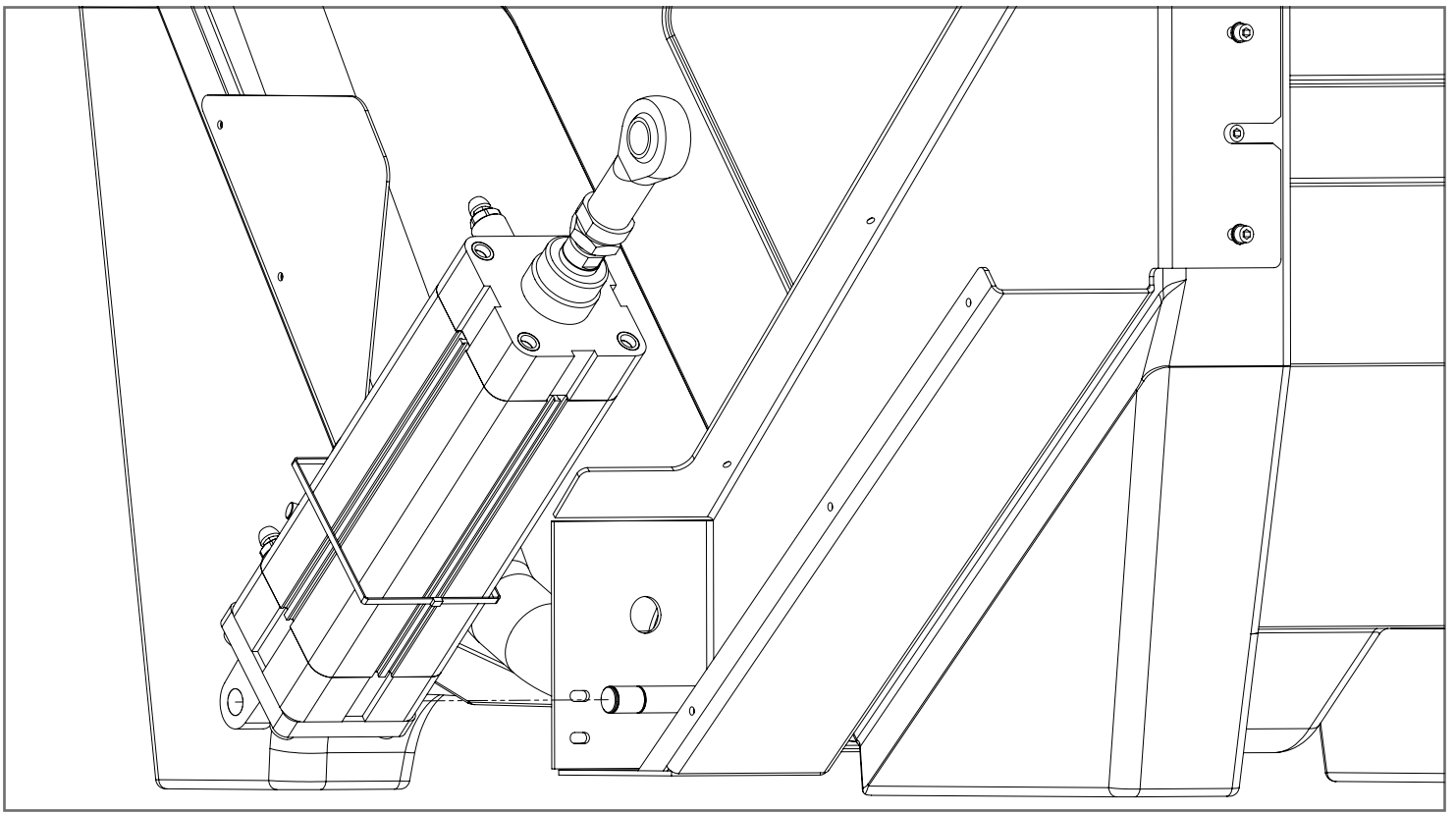


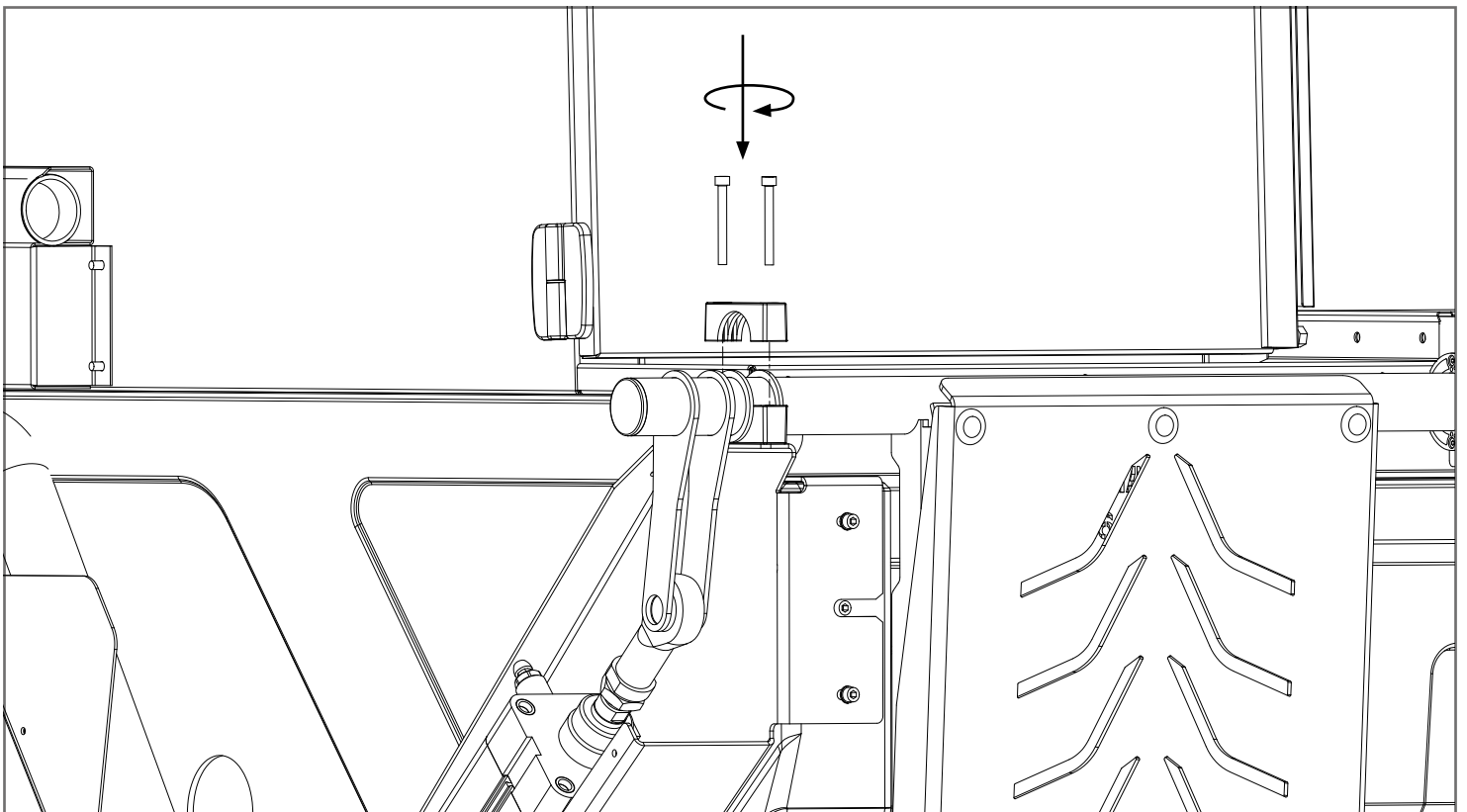
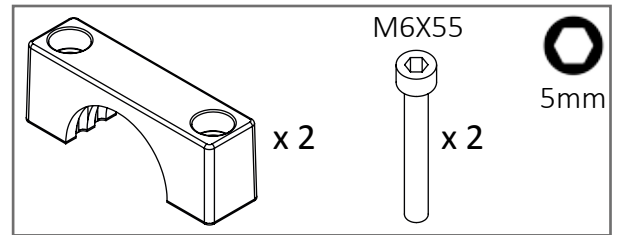
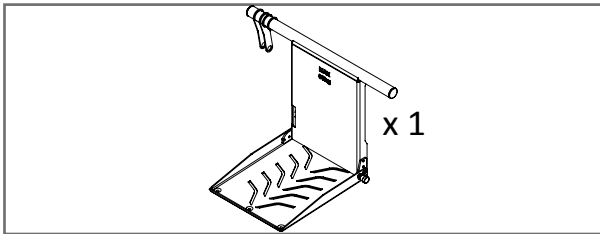
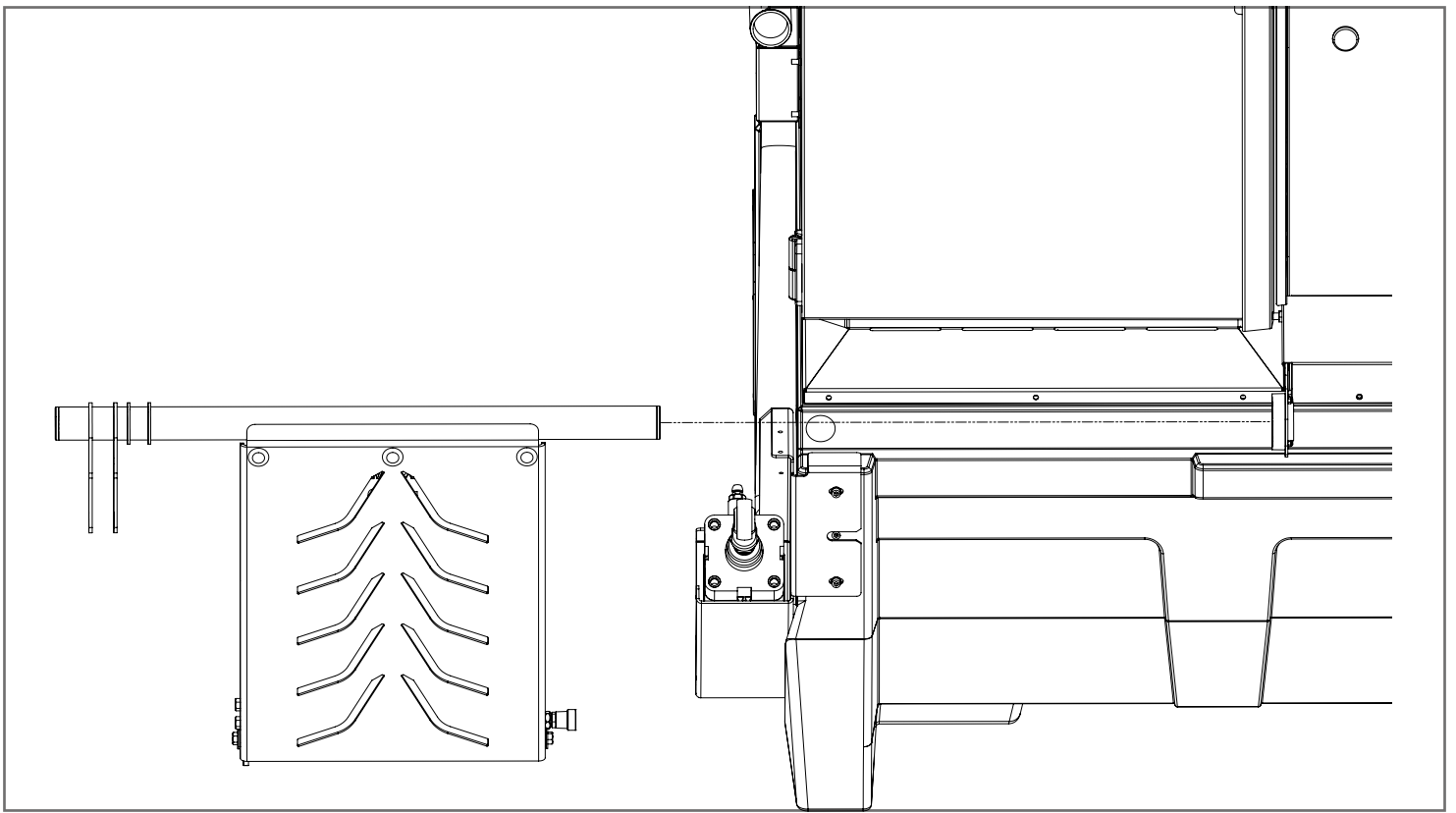


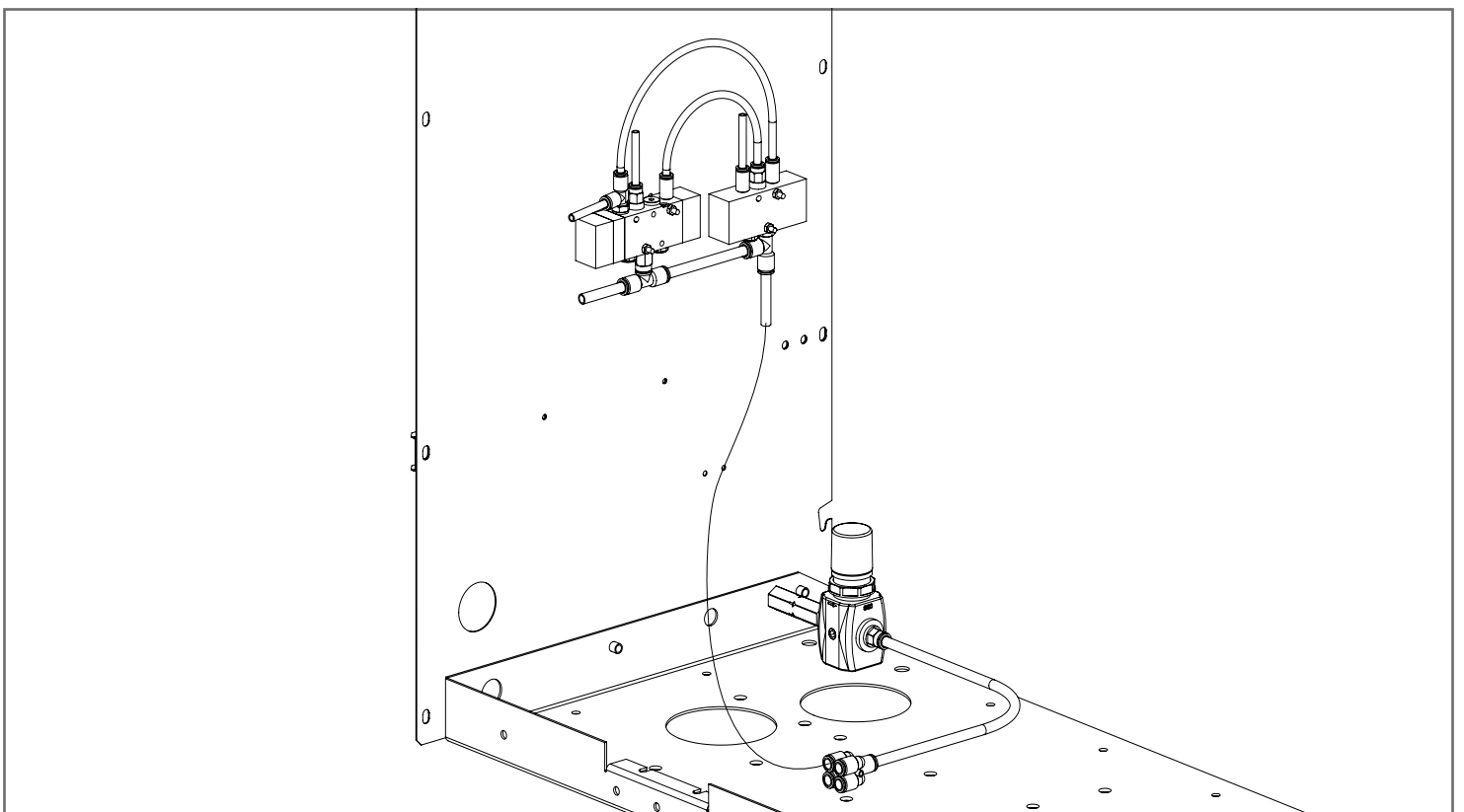
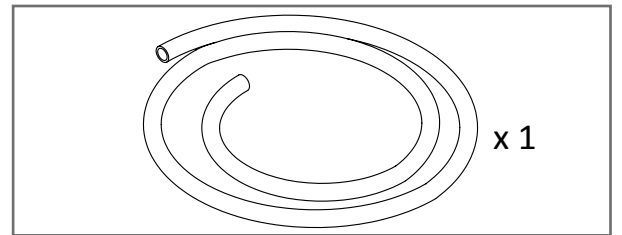
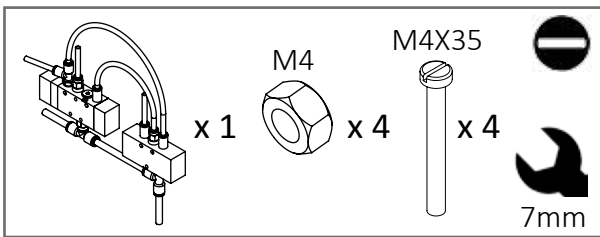
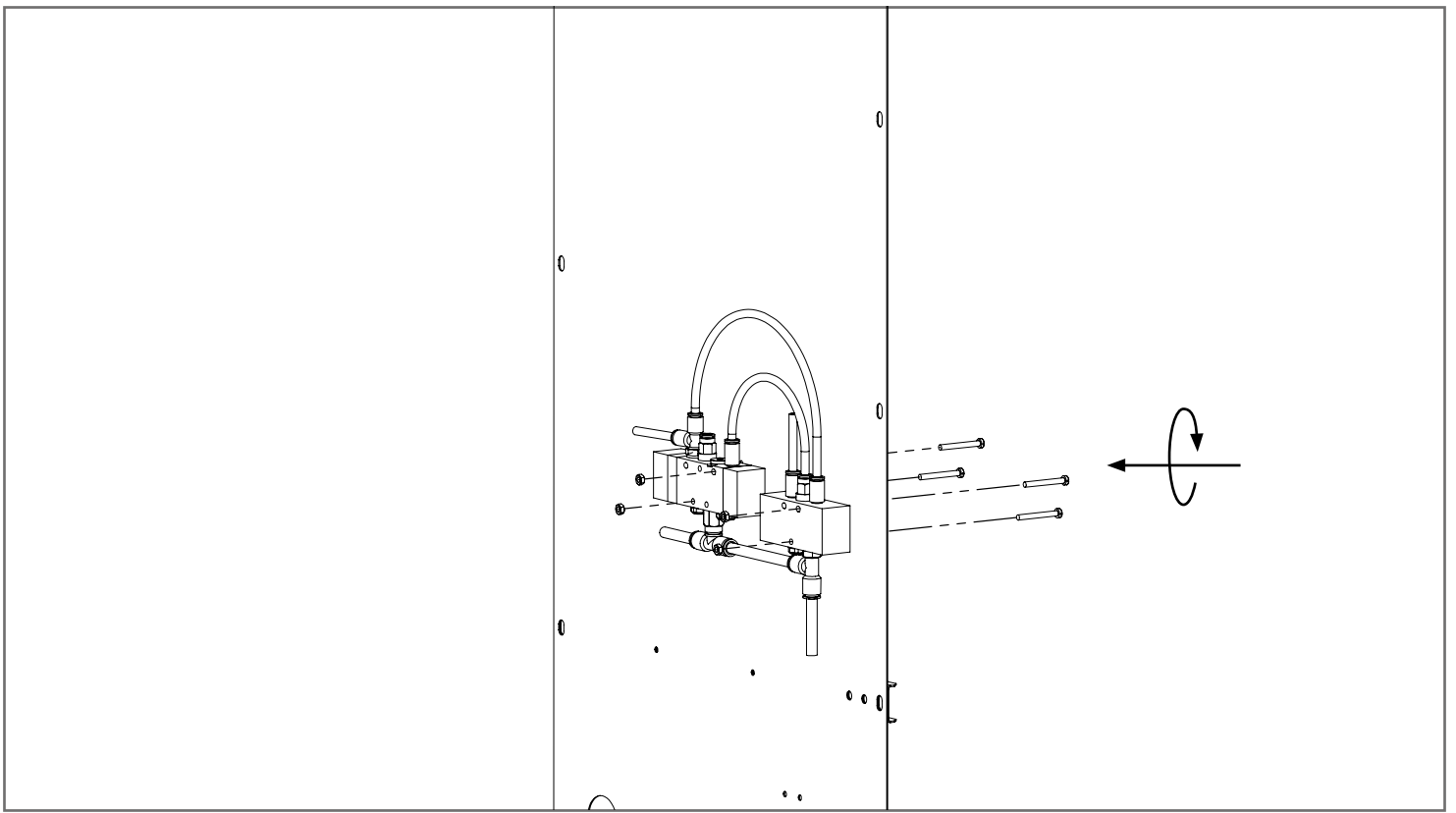


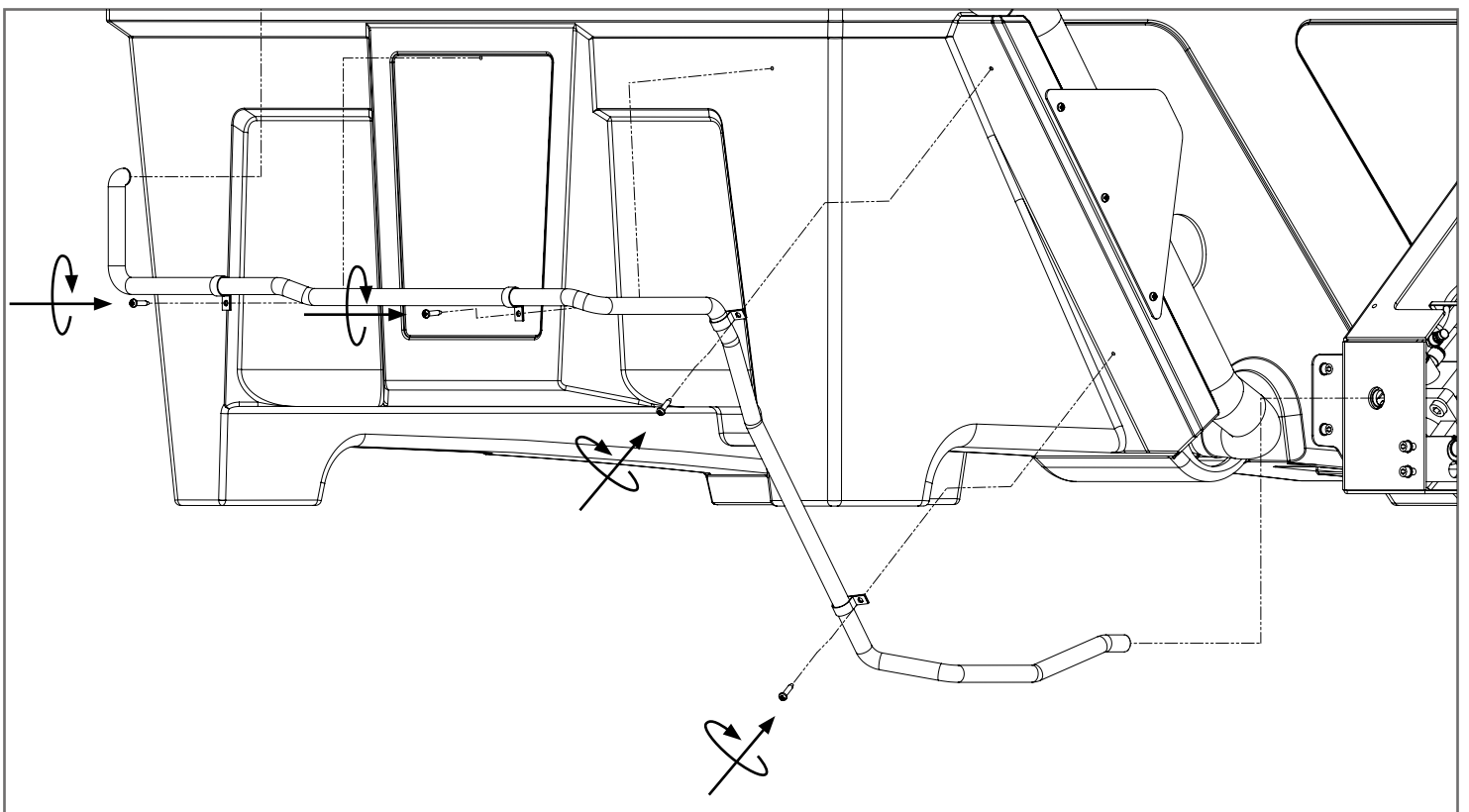
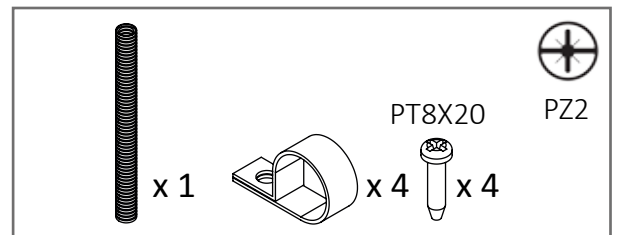
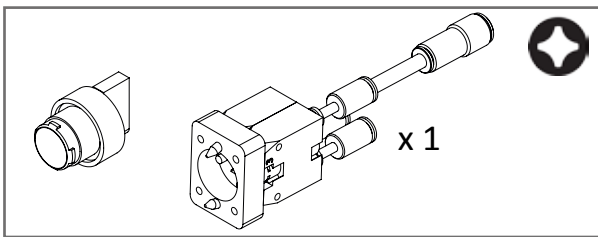
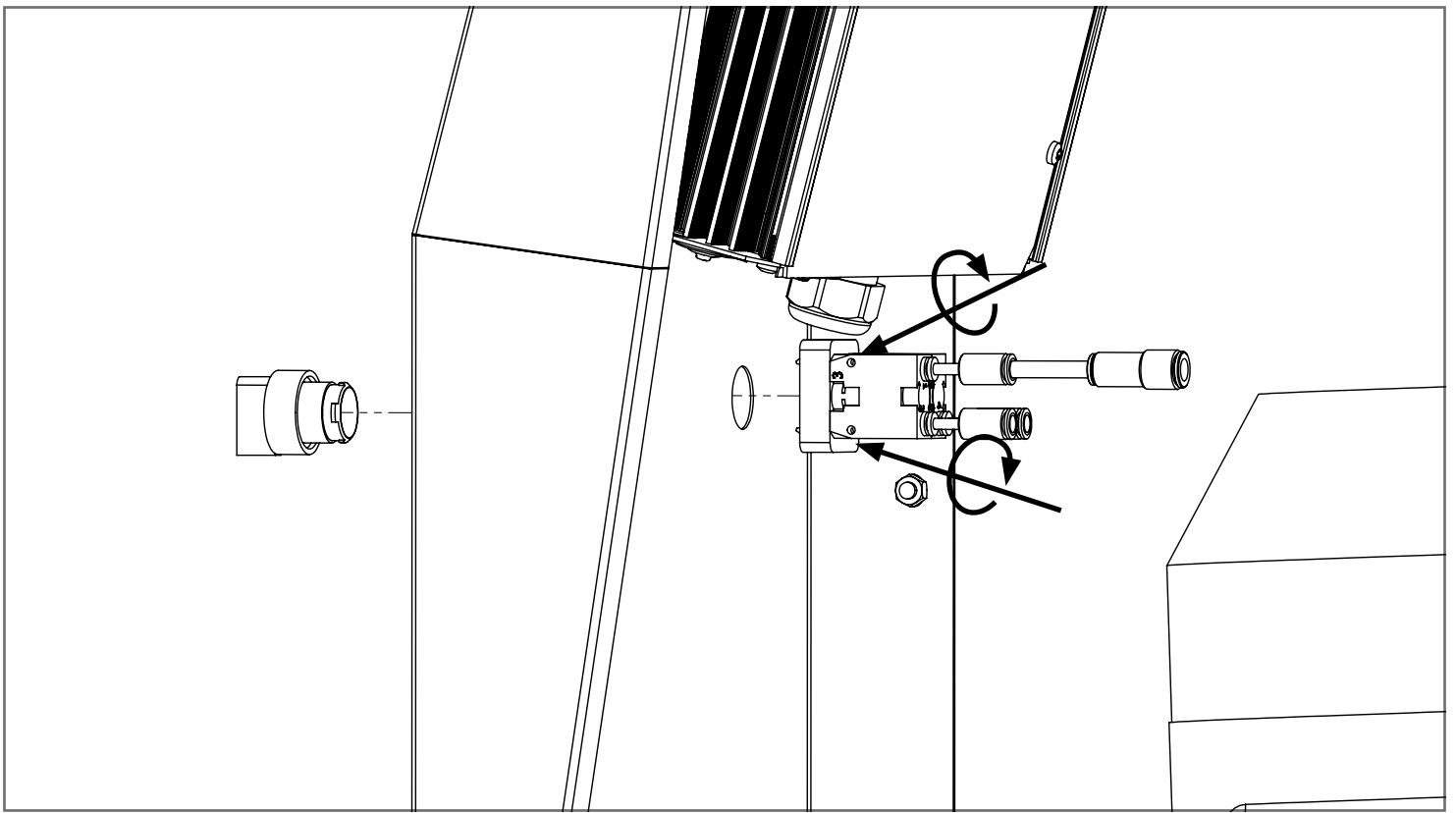


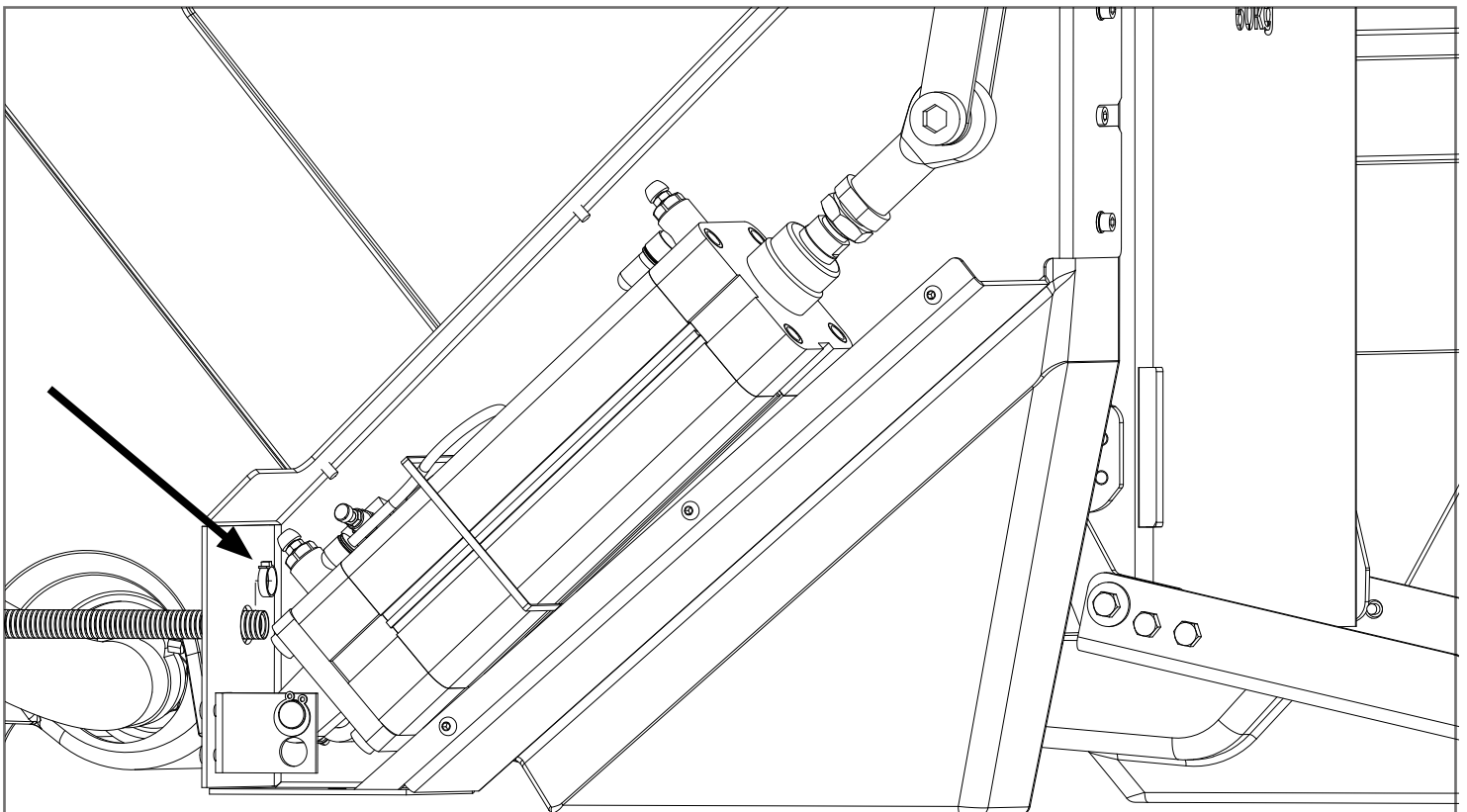
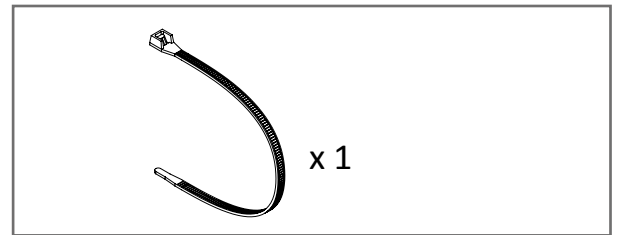
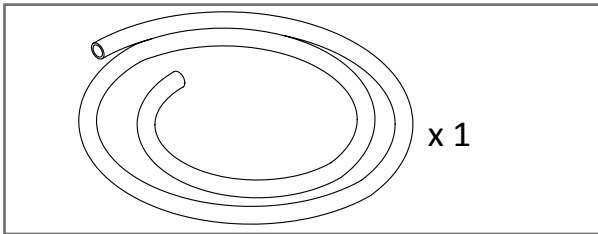
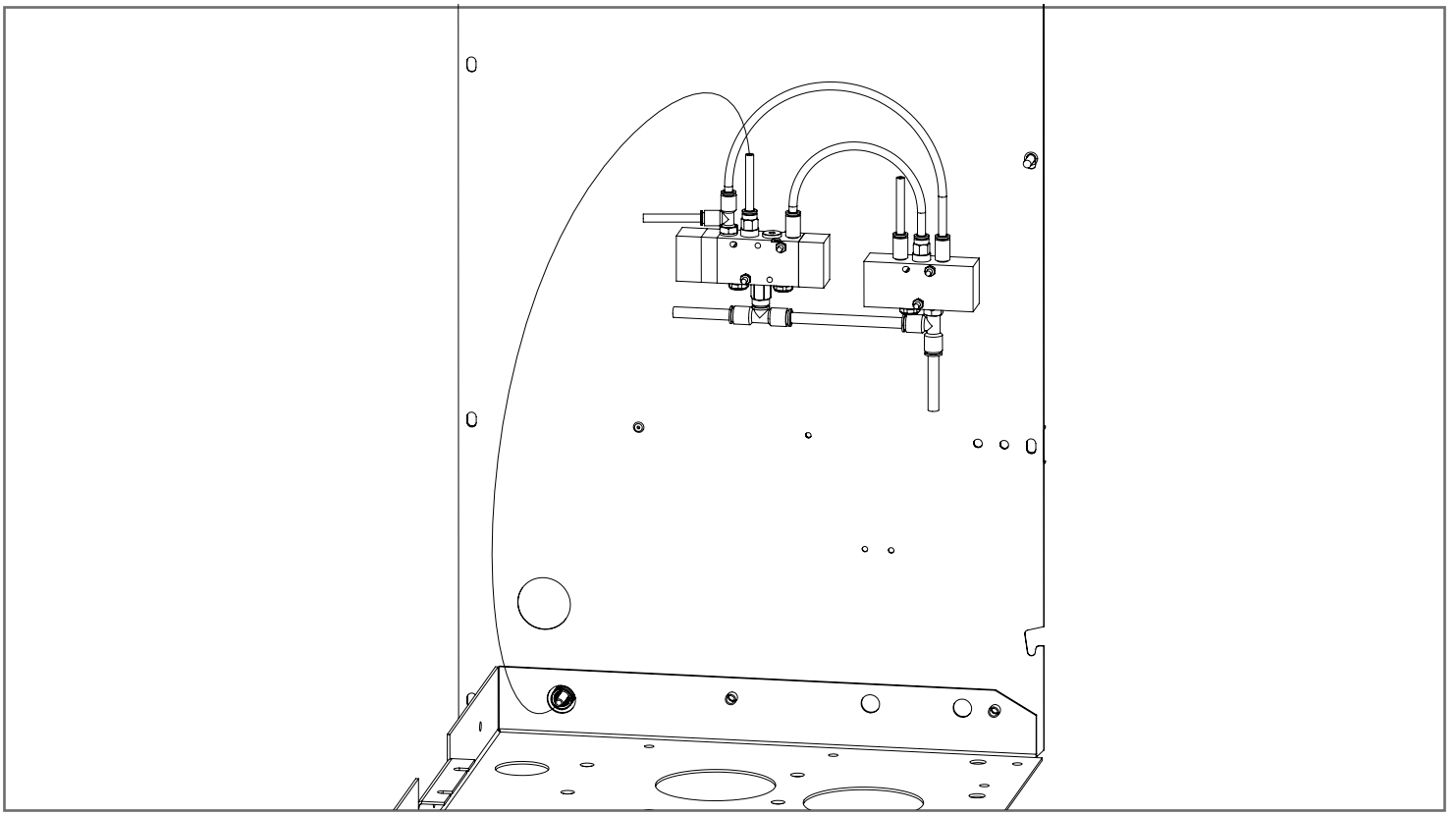


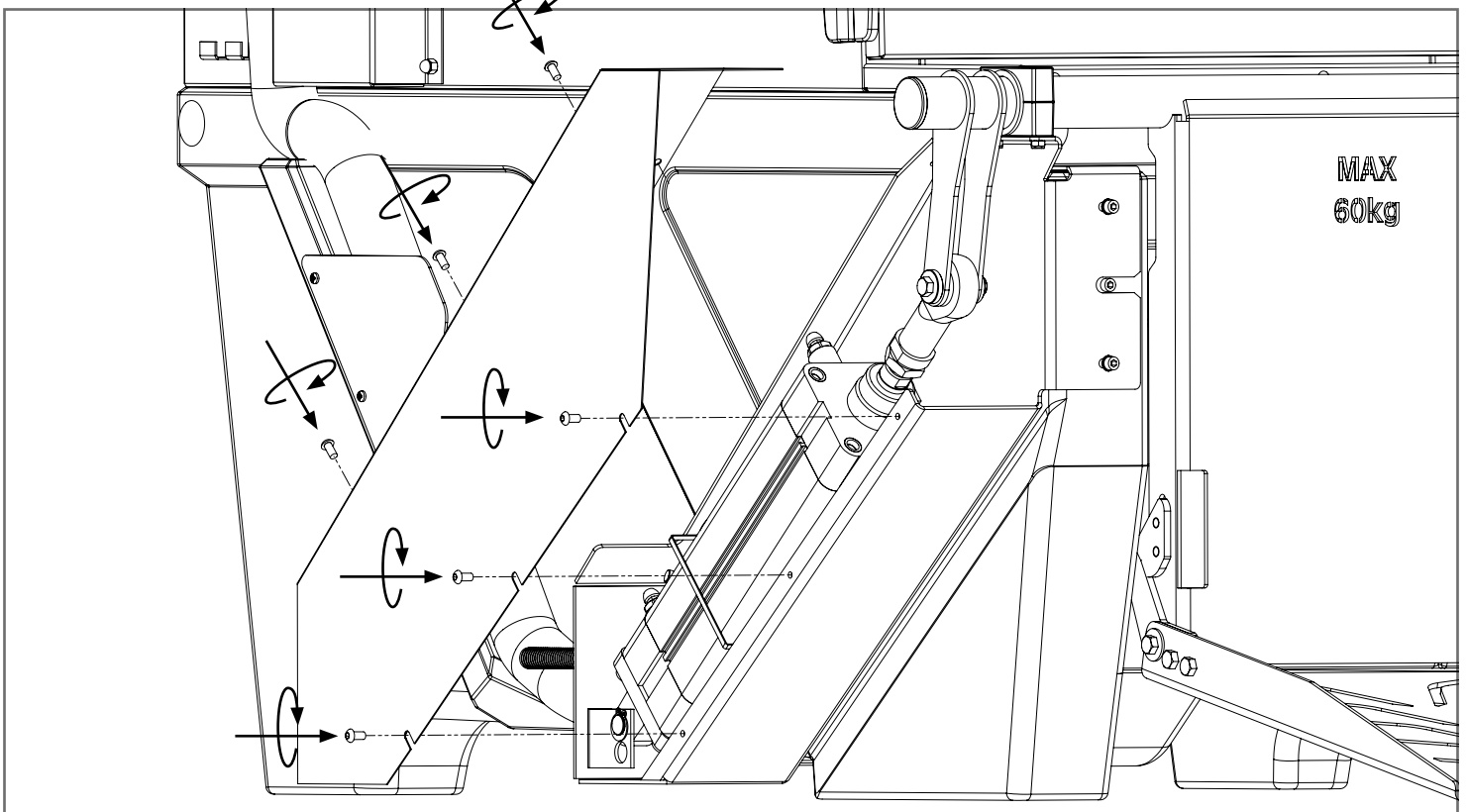
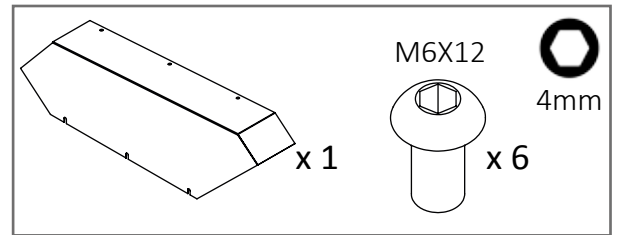
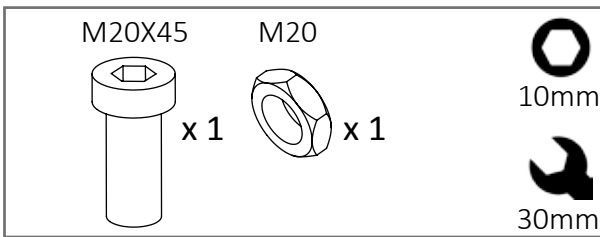
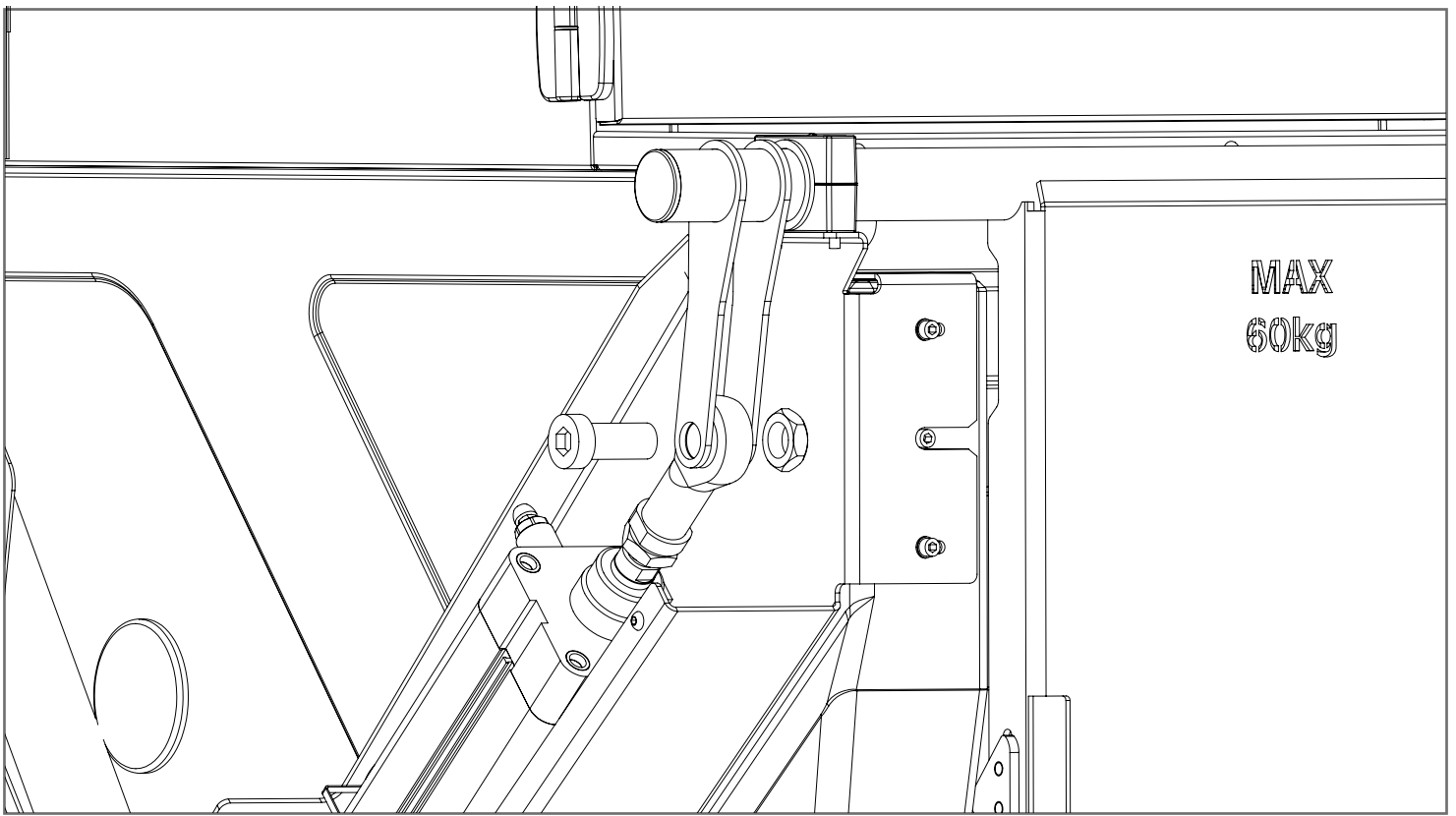


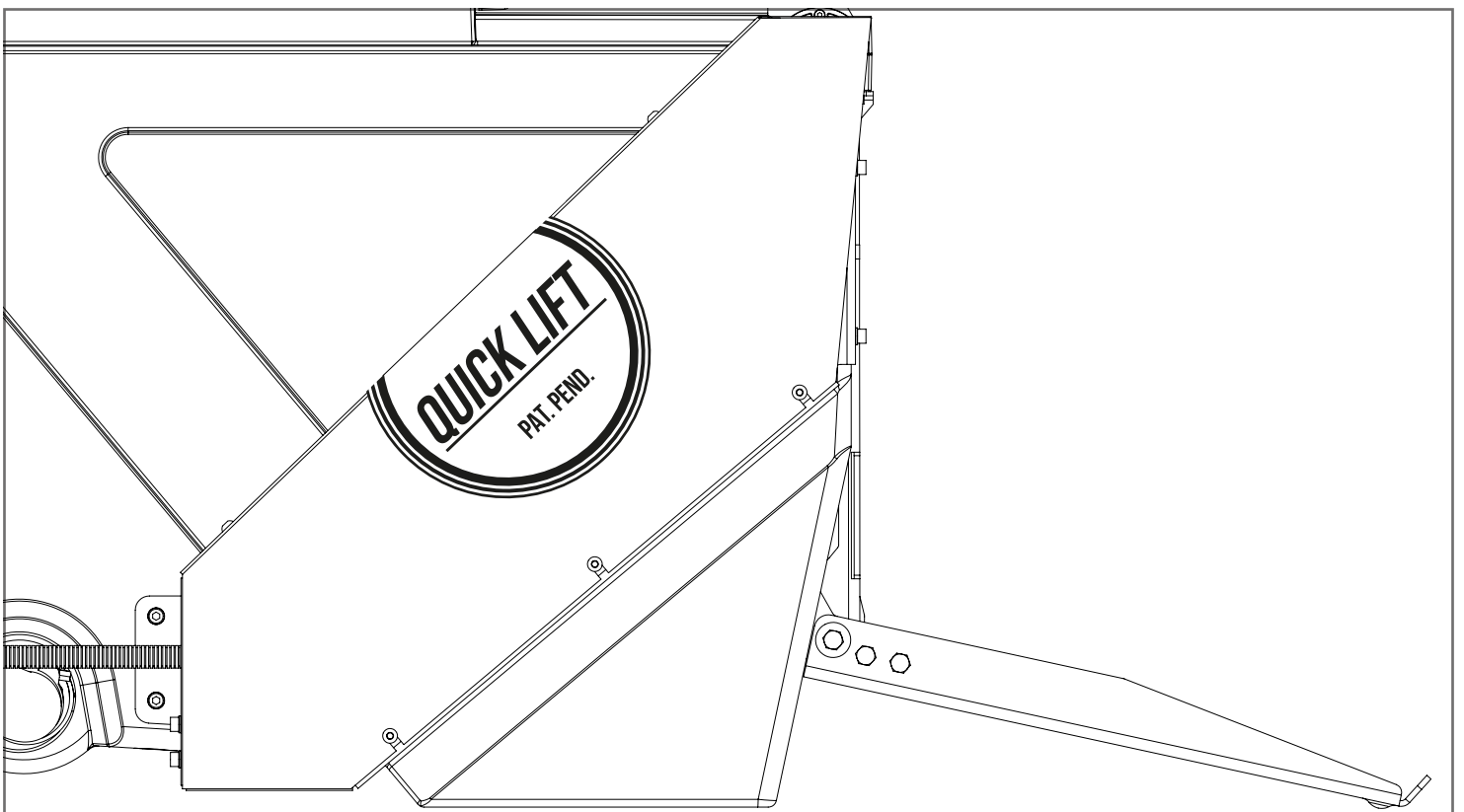
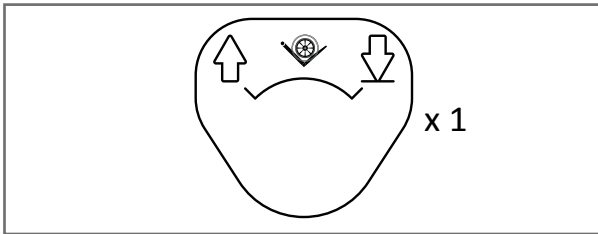
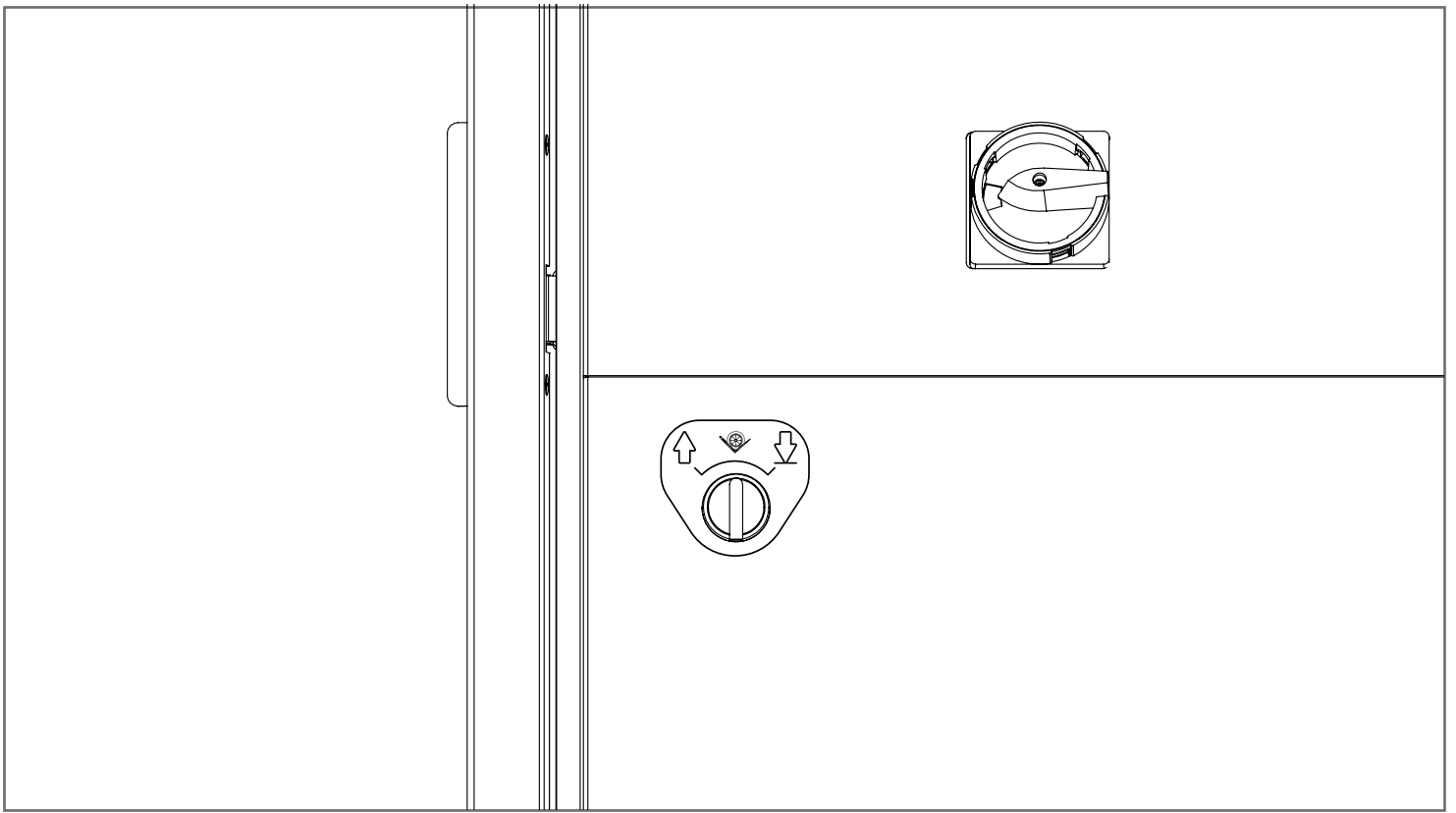


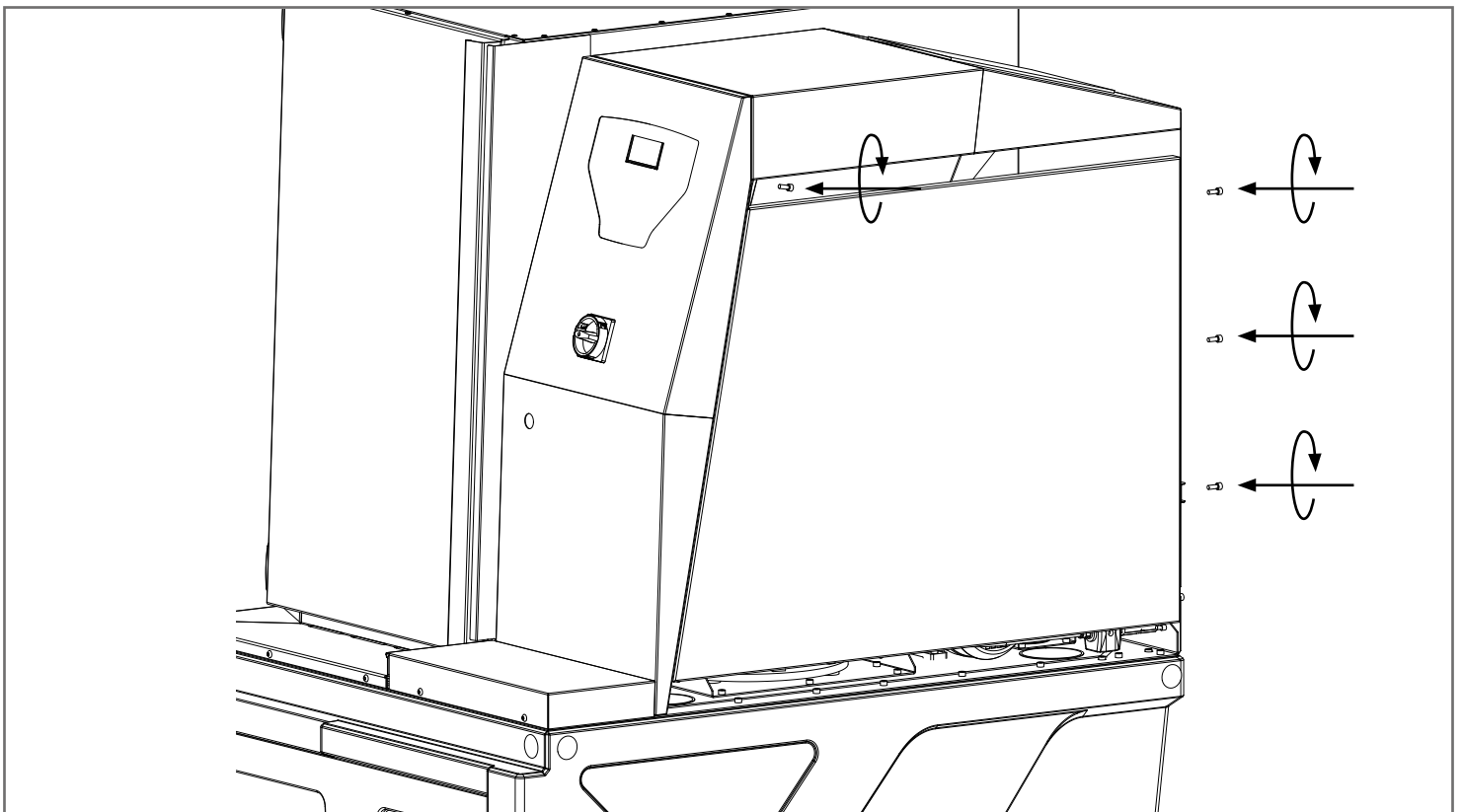
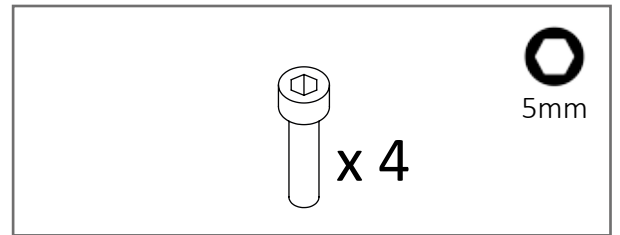
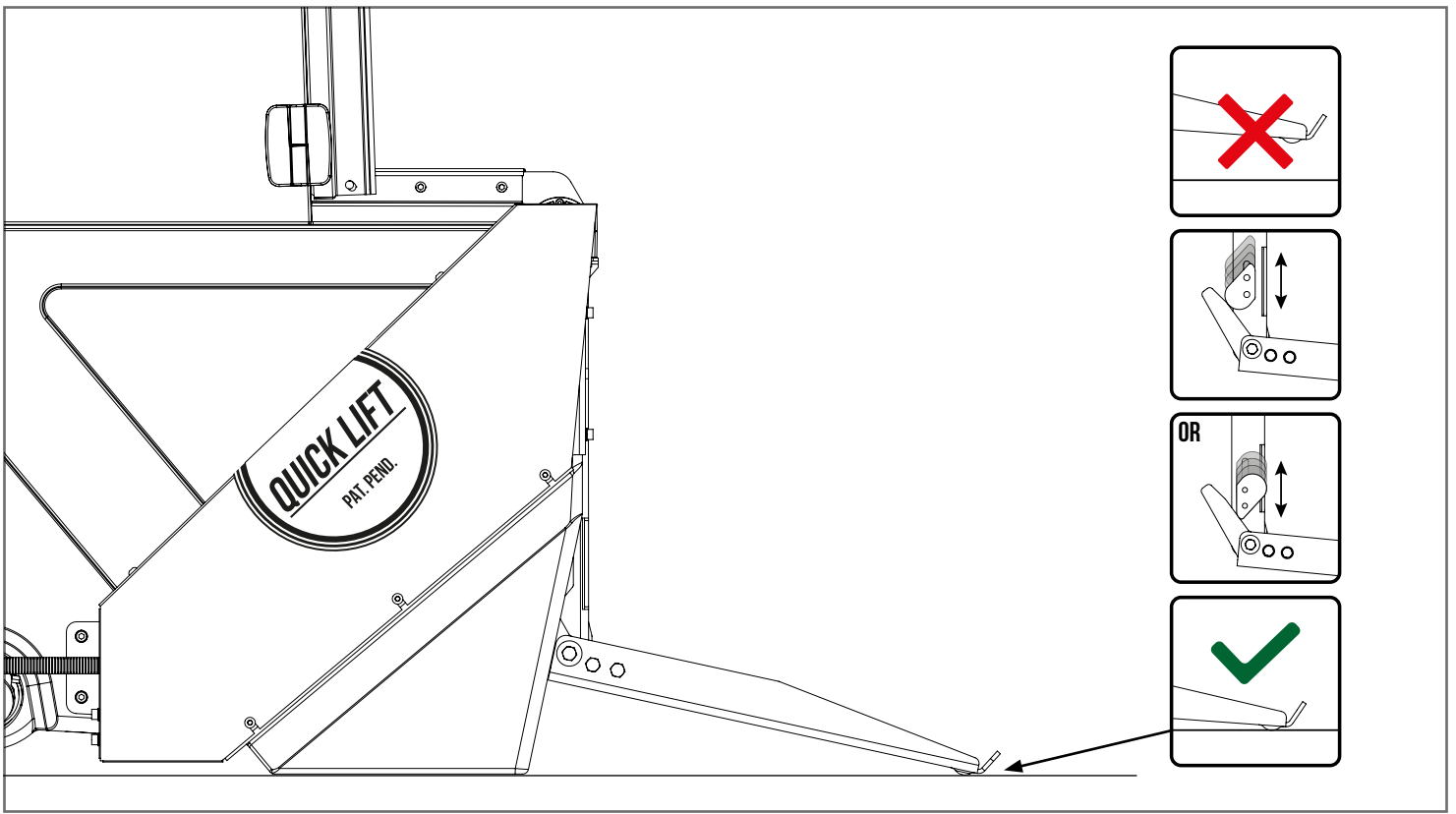


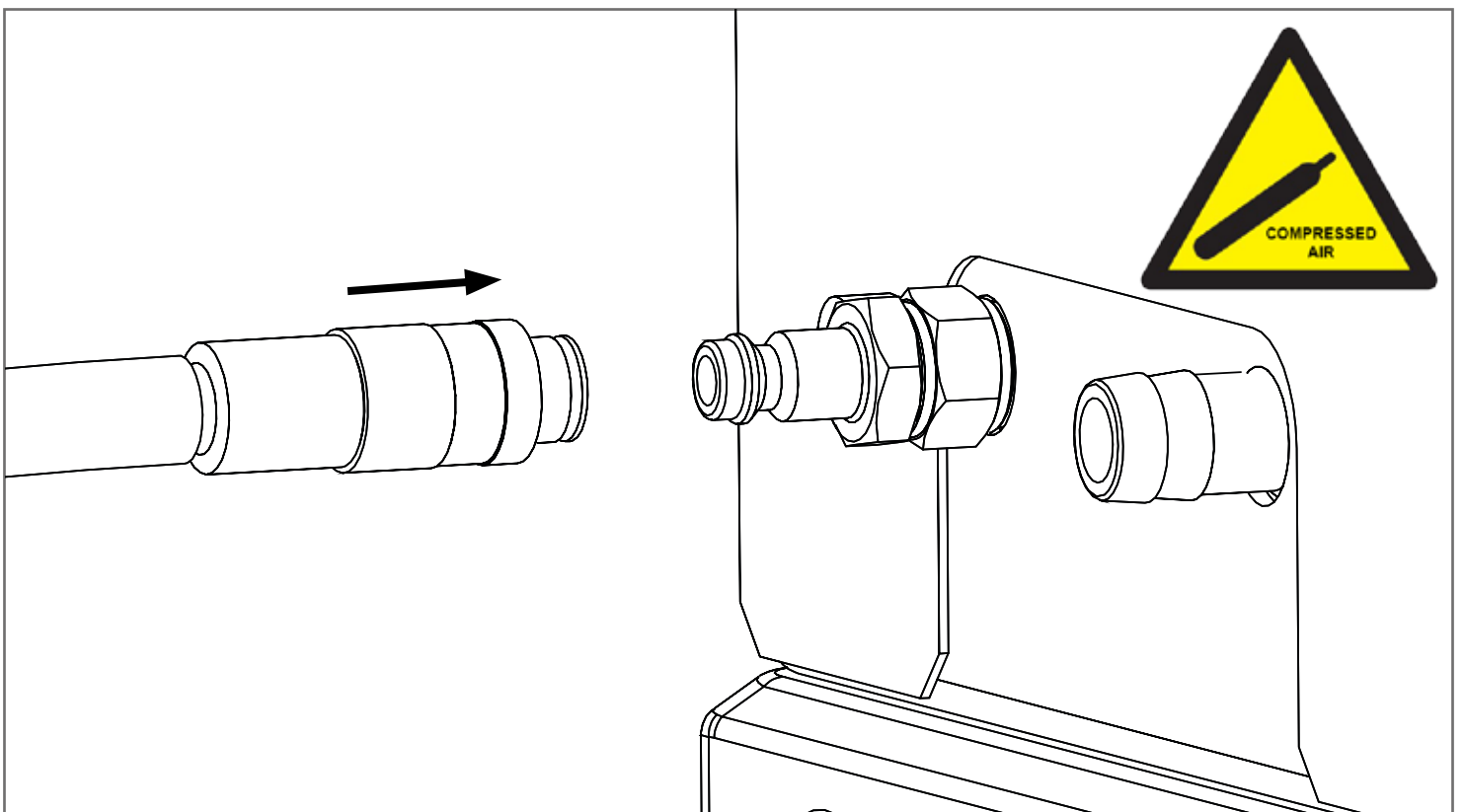
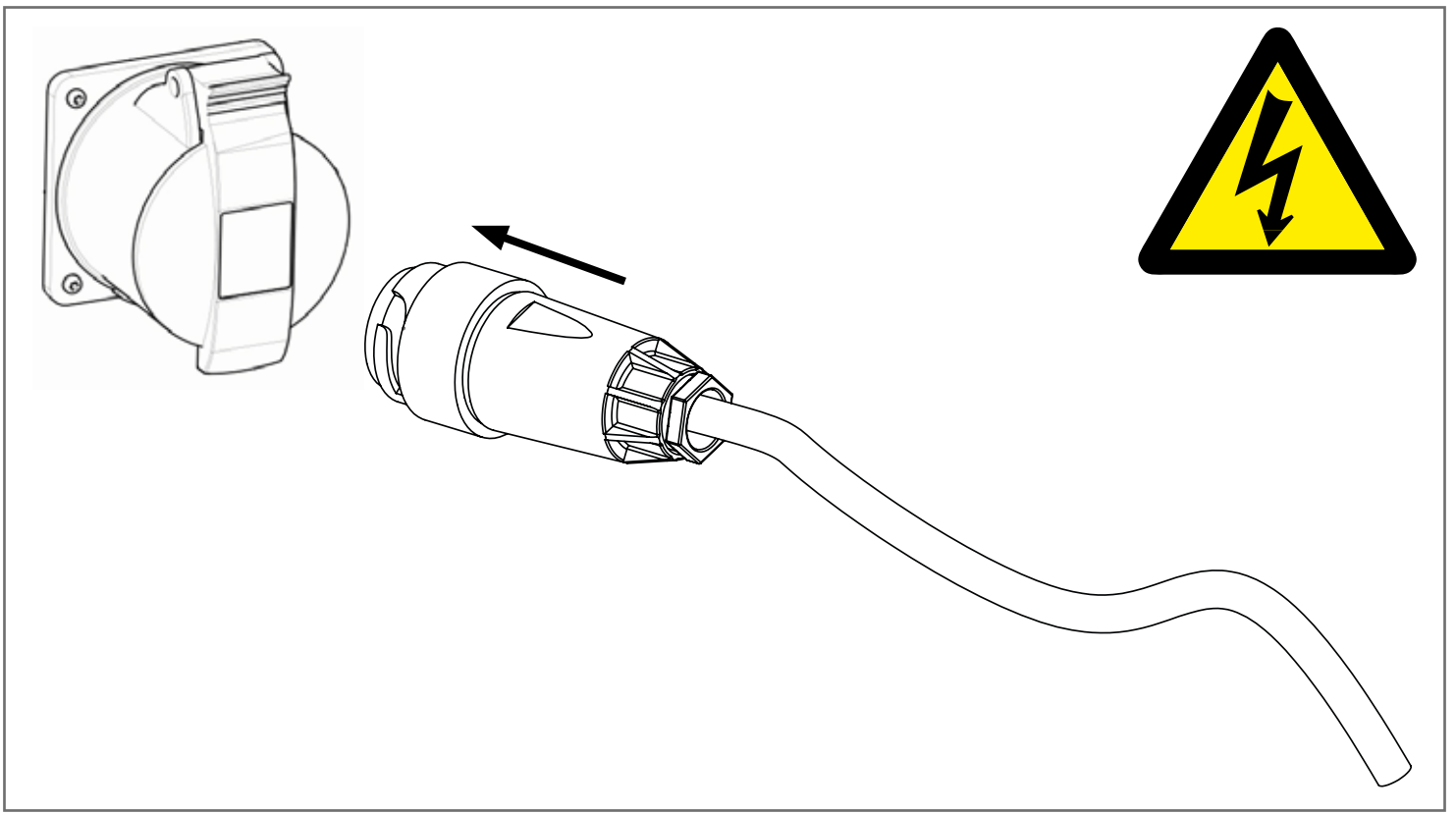










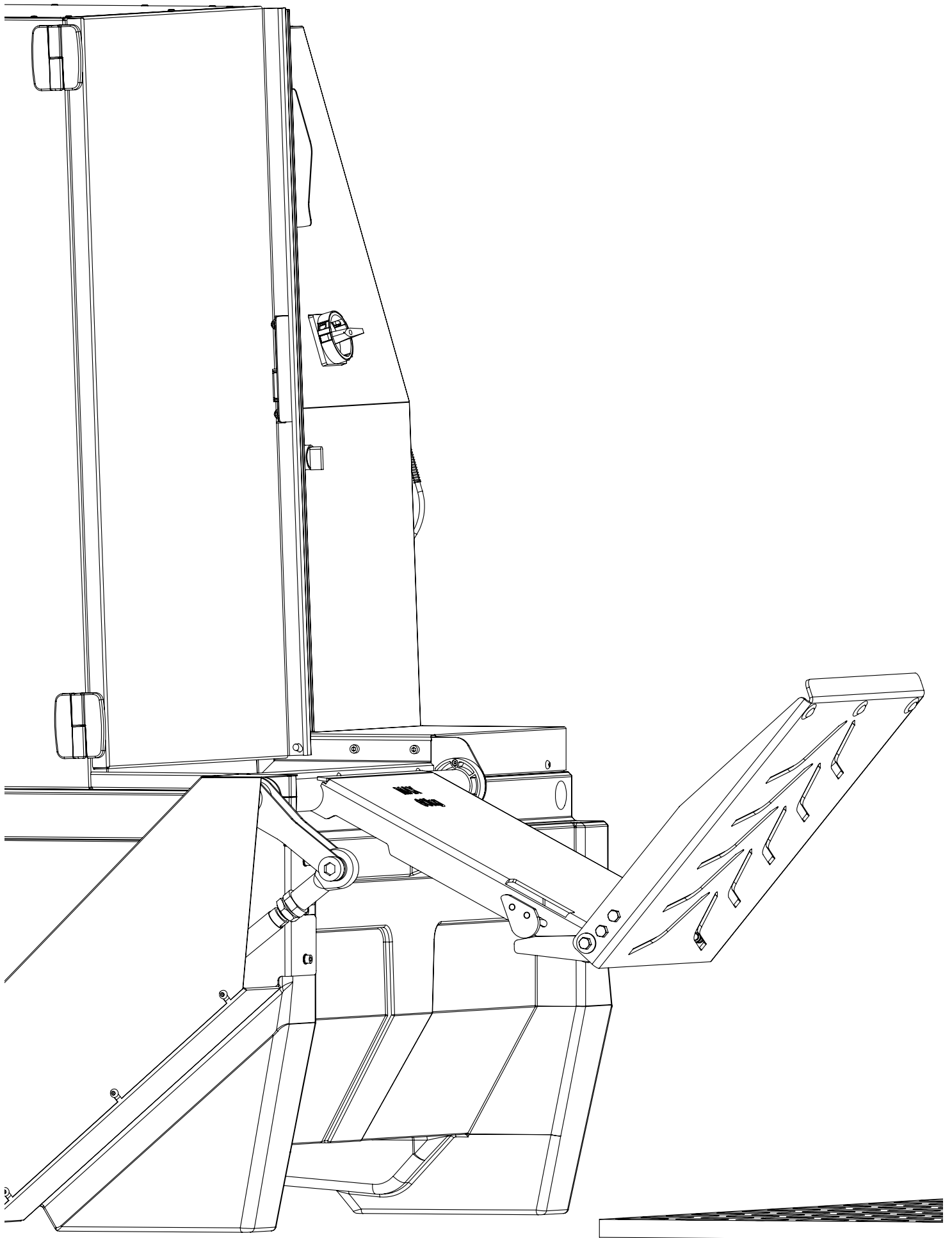




IMPORTANT!



Read operation manual part# 230312
before operating QuickLift





QUICK LIFT

PAT. PEND.



Hedson Technologies AB
Hammarvägen 4
232 37 Arlöv, Sweden
Phone + 46 40 534200
Fax + 46 40 432901
www.hedson.se